

## Table of content

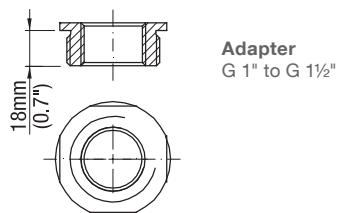
---

	page
CN 4000	2
CN 7000	3
CN 8000	4
MN 4000	6
NB 3000	7
NB 4000	10
NC 8000	13
NG 3000	14
NG 8000	14
NR 3000	15
NR 4000	17
NR 7000	22
RF 3000	28
RF 8000	30
RN 3000/6000	32
RN 4000	36
VN 1000/2000/5000/6000	38
VN 4000	41

## CN 4000 Accessories / Spare parts

### Accessories

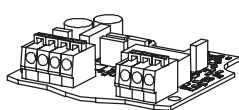
	<b>Adapter G 1" to G 1½"</b>
bu400606	Aluminium
bu400607	1.4305 (303)
	<b>Adapter G 1" to NPT 1¼"</b>
bu400618	Aluminium
bu400619	1.4305 (303)
	<b>Adapter G 1" to NPT 1½"</b>
bu400610	Aluminium
bu400611	1.4305 (303)
zu400200	<b>Shortening kit</b> for CN4050 cable



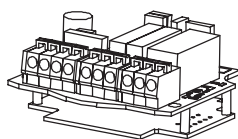
### Spare parts

For type	Electronics	Article number
<b>CN 4020</b> Version 120°C	<b>Relay SPDT</b> 21 .. 27 V DC	pl406100
	<b>Relay DPDT</b> 21 .. 230 V AC 21 .. 45 V DC	pl406110
	<b>PNP</b> 20 .. 40 V DC	pl406120
<b>CN 4020</b> Version 180°C	<b>Relay DPDT</b> 21 .. 230 V AC 21 .. 45 V DC	pl406111
	<b>PNP</b> 20 .. 40 V DC	pl406121
<b>CN 4030</b> <b>CN 4050</b>	For these types a non changeable electronic is located inside the probe. No spare parts are stated.	

**Relay SPDT**



**Relay DPDT**



**PNP**



**CN 7000 Accessories / Spare parts**

Accessories

	<b>Adapter</b> <sup>(1)</sup>
bu400620	G 1" to G 1 1/2" DIN ISO 228-1 1.4404 (316L)
bu400631	NPT 3/4" to NPT 1 1/4" ASME B 1.20.1 1.4404 (316L)
bu400630	NPT 3/4" to NPT 1 1/2" ASME B 1.20.1 1.4404 (316L)
	<b>EHEDG/ 3A process connection</b> <sup>(2)</sup>
bu400514	Flush welding socket $\varnothing$ 30/ G 1/2", 1.4404 (316L), with leakage borehole
	<b>Sensguard</b> <sup>(3)</sup>
cl440402	G 1" DIN ISO 228-1 PPS
cl440411	NPT 3/4" ASME B 1.20.1 PPS
zu400000	<b>Shortening kit</b> for CN 7150 extension cable

<sup>(1)</sup> Max. process pressure: -1 to 25 bar (363 psi)

<sup>(2)</sup> Fitting to CN 7120 with process connection G 1/2" Hygienic (pos.5 A) and EHEDG or 3A certificate (pos.24 a,b).  
Max. process pressure: -1 to 25 bar (363 psi)

<sup>(3)</sup> Fitting to CN 7120 with process connection G 1/2" (pos.5 B).  
Max. process pressure: -1 to 10 bar (146 psi)

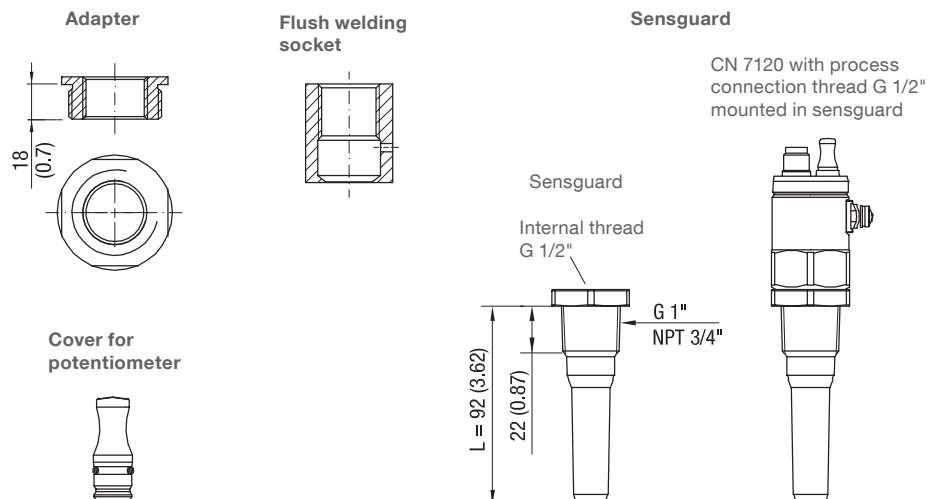
Complementary products (from outside companies)

<b>Remote instrument for 8/16 mA electronic</b>	<b>Operation with 8/16 mA, 2-wire current loop:</b> Input: 8/16 mA from CN 7000 unit Output: Relay Intrinsically safe and non-intrinsically safe operation: Implements self diagnostics when power supply is applied or test button on remote instrument is pressed (remote test) Possible manufacturer / Type: Siemens: Sitrans SCSC (single channel) or TCSC (double channel) Further manufacturers on request (zu400005)
---	--

<b>M12 mating plug</b>	<b>4 polig, female, for version CN 7000 with M12 plug:</b> Possible manufacturer / Type: Phoenix Contact: SACC-M12 - Series Lapp: EPIC Sensor M12 V4A Murr Elektronik: M12 Bu. - Series The specification of the respective datasheets must be checked with the application.
------------------------	---

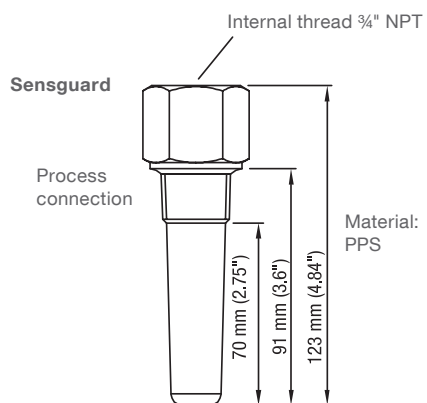
Spare parts

zu400001	Cover for potentiometer, for enclosure $\varnothing$ 35mm (1.38"), incl. seal ring
zu400002	Cable gland M20 x 1.5 (applicable as well for Ex versions)
zu400003	Lid, for enclosure $\varnothing$ 65mm (2.56")
zu400004	Lid seal, for enclosure $\varnothing$ 65mm (2.56")

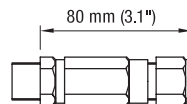


**CN 8000 Accessories**

- cl440102 Sensguard process connection 3/4" NPT (PPS) <sup>(1)</sup>
- cl440103 Sensguard process connection 1" BSPT (PPS) <sup>(1)</sup>
- em440041 Cable gland M20 x 1.5 Ex-d



**Cable gland M20 x 1.5 Ex-d**



For use with version  
Flameproof ATEX, TR-CU (pos.2 T,L).  
Type: Stahl T3CDS 246560

(1) Requires unit with short extension length (Pos.8 A) and process connection 3/4" NPT (pos.5+6 0A).

**CN 8000 Spare parts**

Fitting to unit/ model code	Spare part Article number
-----------------------------	---------------------------

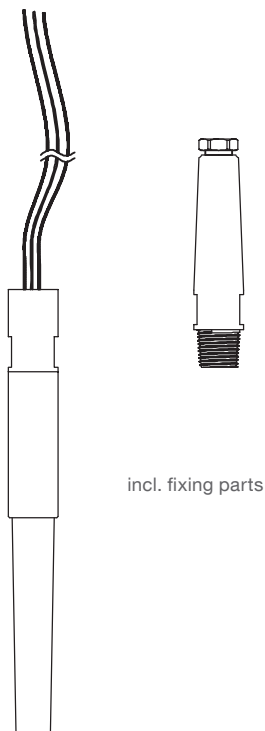
**Electronics**

Splitting electronics is present inside probe and inside housing. Please contact manufacturer.		
---	--	--

**Sensor kit for cable units**

Fitting to: Standard electronic	PPS probe	FKM sealing	pos.4 E 8 P,Q,Z 10 A	pl440100
Fitting to: Standard electronic	PVDF probe	FKM sealing	pos.4 E 8 P,Q,Z 10 B	pl440110
Fitting to: Standard electronic	PPS probe	FFKM sealing	pos.4 E 8 P,Q,Z 10 A 17 x	pl440120
Fitting to: Standard electronic	PVDF probe	FFKM sealing	pos.4 E 8 P,Q,Z 10 B 17 x	pl440130
Fitting to: Digital electronic	PPS probe	FKM sealing	pos.4 F 8 P,Q,Z 10 A	pl440140
Fitting to: Digital electronic	PVDF probe	FKM sealing	pos.4 F 8 P,Q,Z 10 B	pl440150
Fitting to: Digital electronic	PPS probe	FFKM sealing	pos.4 F 8 P,Q,Z 10 A 17 x	pl440160
Fitting to: Digital electronic	PVDF probe	FFKM sealing	pos.4 F 8 P,Q,Z 10 B 17 x	pl440170

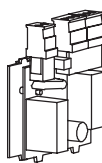
**Sensor kit for cable units**



**MN 4000 Spare parts**

---

Electronic board	Article number
<b>Relais DPDT</b> 21 .. 230 V AC 22 .. 45 V DC	pl405265
<b>PNP</b> 20..40V DC	pl405266



**NB 3000 Accessories**

---

**Mounting Kit**

Bolts, washers and nuts for mounting the unit on a flange

	<b>material</b>	<b>bolts</b>	<b>washers</b>	<b>nuts</b>
<b>zu107000</b>	stainless steel/ A2	4 pieces M16 x 60	8 pieces	4 pieces

**Flange sealings**

Sealings for mounting the unit on a flange.

Material: neoprene (85°C), temperature resistive plastic AFM30 (250°C)

	<b>suitable for flanges</b>	<b>max. temp.</b>	<b>suitable mounting kit</b>
<b>di300125</b>	DN100 PN16/ 4"	+85°C (185°F)	zu107000
<b>di300108</b>	DN100 PN16/ 4"	+250°C (482°F)	zu107000

## NB 3000 Spare parts

### Rope roller (rope rolls are supplied with an assembly set for proper mounting)

<b>sl102243</b>	Rope roller with 30 m rope (13 mm* rope chamber) Process temperature max. 80°C
<b>sl102240</b>	Rope roller with 30 m rope (33 mm* rope chamber) Process temperature max. 80°C
<b>sl102242</b>	Rope roller with 30 m rope for increased corrosion resistance (plastic coated)

\*For safe function 13 mm and 33 mm rope chamber must be substituted only by the same type.

### Tape roller (tape rolls are supplied with an assembly set for proper mounting)

<b>sb102240</b>	Tape roller with 40 m tape
-----------------	----------------------------

### Sensor weights

All sensor weights are delivered incl. mounting set for proper fixing to the rope/tape and excl. rope/tape

#### Solid measurement

<b>sl102220</b>	Sensor weight for rope	PVC without pin
<b>sl102221</b>	Sensor weight for rope	PVC with pin
<b>sl102222</b>	Sensor weight for rope	Stainless steel $\varnothing 75$ mm ( $\varnothing 3.0$ " )
<b>sl102228</b>	Sensor weight for rope	Stainless steel $\varnothing 42$ mm ( $\varnothing 1.65$ " ) not for rope version with flange DN100/ 4"
<b>sl102223</b>	Sensor weight for tape	Claw
<b>sl102224</b>	Sensor weight for rope	Folding cover
<b>sl102225</b>	Sensor weight for rope	Spider
<b>sl102226</b>	Sensor weight for rope	Bag
<b>sl102227</b>	Sensor weight for rope	Float
<b>sb102221</b>	Sensor weight for tape 40 m	PVC with pin
<b>sb102222</b>	Sensor weight for tape 40 m	Stainless steel
<b>sb102223</b>	Sensor weight for tape 40 m	Claw
<b>sb102224</b>	Sensor weight for tape 40 m	Folding cover
<b>sb102225</b>	Sensor weight for tape 40 m	Spider
<b>sb102226</b>	Sensor weight for tape 40 m	Bag
<b>sb102227</b>	Sensor weight for tape 40 m	Float

#### Interface measurement

<b>sl102230</b>	Sensor weight for rope	PVC with metal core
<b>sb102230</b>	Sensor weight for tape	Stainless steel

### Mounting set without sensor weights

<b>sl100270</b>	For rope version 80°C
<b>zu108030</b>	For tape version

### Motor

<b>gm102202</b>	Motor standard version
<b>gm102211</b>	Motor brushless version

### Electronics

<b>pl102691</b>	Electronics	98 .. 253 V 50 -60 Hz	0/ 4-20 mA	Modbus	Relay counting pulse (5 cm 10 cm 1/6 ft 1/3 ft)
<b>pl102690</b>	Electronics	98 .. 253 V 50 - 60 Hz	0/ 4-20 mA	Modbus	Electr. counting pulse (1 cm 2.5 cm 1/20ft 1/10 ft)
<b>pl102692</b>	Electronics	98 .. 253 V 50 - 60 Hz	0/ 4-20 mA	Profibus DP	Relay counting pulse (5 cm 10 cm 1/6 ft 1/3 ft)
<b>pl102696</b>	Electronics	20 .. 28 V DC	0/ 4-20 mA	Modbus	Relay counting pulse (5 cm 10 cm 1/6 ft 1/3 ft)
<b>pl102695</b>	Electronics	20 .. 28 V DC	0/ 4-20 mA	Modbus	Electr. counting pulse (1 cm 2.5 cm 1/20 ft 1/10 ft)
<b>pl102697</b>	Electronics	20 .. 28 V DC	0/ 4-20 mA	Profibus DP	Relay counting pulse (5 cm 10 cm 1/6 ft 1/3 ft)

**Required information:** Rope or Tape version. Evt. further menue presettings.

### Internal Heater

<b>em100372</b>	220 Ohms	For power supply 98 .. 253 V 50 - 60 Hz
<b>em100371</b>	8 Ohms	For power supply 20 .. 28 V DC

### Weather protection cover

<b>zu400215</b>
-----------------

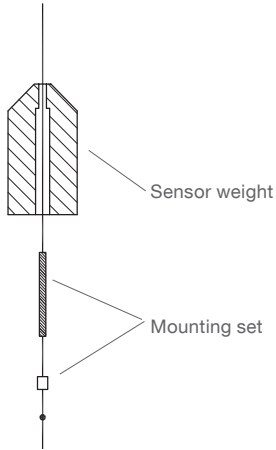


**NB 3000 Spare parts**

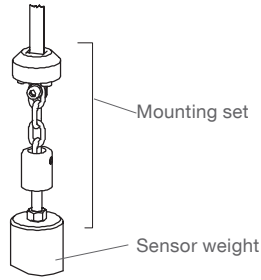
**Sensor weights/ Mounting set**

All sensor weights are delivered including stated parts for proper fixing to the rope/ tape

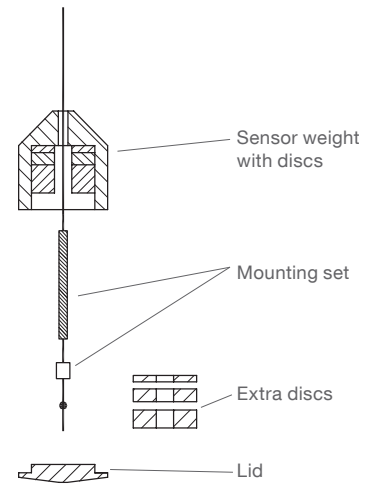
**Solids measurement: rope version**



**Solids measurement: tape version  
Interface measurement: tape version**

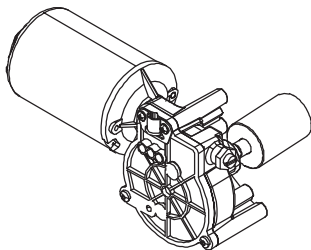


**Interface measurement: rope version**



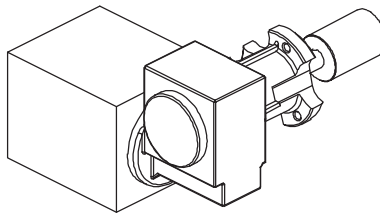
**Motor**

**Standard**

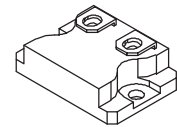


Delivery including: cable, plug, sealing, mounting tools

**Brushless motor**

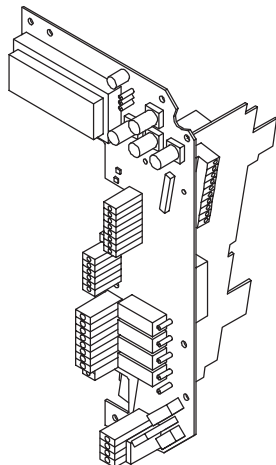


**Heater**

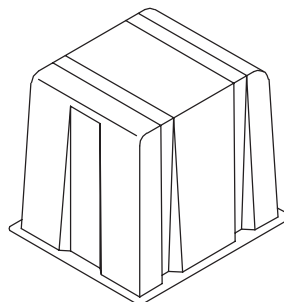


Delivery including cable and plug

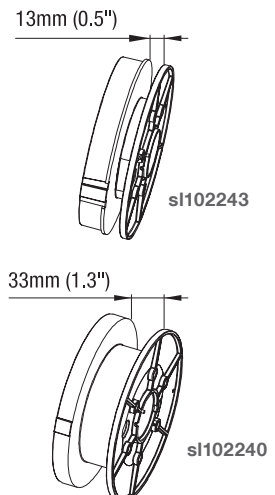
**Electronics**



**Weather protection cover**



**Rope roller**



## NB 4000 Accessories

---

### Fixing material for mounting the unit on a flange

zu107000 4 bolts M16 x 60, 8 washers, 4 nuts. Stainless steel.

### Sealings for mounting the unit on a flange

di300125 Flange sealing for DN100 PN16/ 4" (neoprene)

### Adapter NPT 1½" to NPT 3"

zu103100 Thread tapered ANSI B1.20.1, aluminium

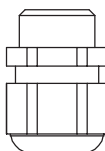
### Cable gland

em400589 Cable gland with 2 inputs. M25 x 1.5, clamping range 2x ø4.5-7 mm, -20 .. +70°C

em400573 Cable gland, M20 x 1.5, clamping range ø6-12 mm, -40 .. +70°C.



Adapter NPT 1½" to NPT 3"



Cable gland with 2 inputs

## NB 4000 Spare parts

**Roller** (Rope/ tape rolls are supplied with an assembly set for proper mounting)

<b>sl103239</b>	Rope roller with 15 m rope
<b>sl103240</b>	Rope roller with 30 m rope
<b>sb103239</b>	Tape roller with 15 m tape
<b>sb103240</b>	Tape roller with 30 m tape

### Sensor weights

All sensor weights are delivered incl. mounting parts for proper fixing to the rope/ tape and excl. rope/ tape

**For rope version:**

<b>sl103231</b>	PVC without pin
<b>sl103232</b>	PVC with pin
<b>sl103233</b>	Stainless steel without pin
<b>sl103234</b>	Stainless steel with pin
<b>sl103235</b>	Folding cover

**For tape version:**

<b>sb103231</b>	PVC without pin
<b>sb103232</b>	PVC with pin
<b>sb103233</b>	Stainless steel without pin
<b>sb103234</b>	Stainless steel with pin
<b>sb103235</b>	Folding cover
<b>sb103236</b>	Spider

**Mouting set without sensor weight**

<b>sl100280</b>	For rope version
<b>zu108030</b>	For tape version

### Motor

<b>gm103202</b>	Motor
-----------------	-------

### Electronics

<b>pl103690</b>	230 V 50 - 60 Hz	4-20 mA	without 2 Relais <sup>(1)</sup>
<b>pl103691</b>	230 V 50 - 60 Hz	4-20 mA	with 2 Relais <sup>(1)</sup>
<b>pl103696</b>	230 V 50 - 60 Hz	Modbus	without 2 Relais <sup>(1)</sup>
<b>pl103692</b>	115 V 50 - 60 Hz	4-20 mA	without 2 Relais <sup>(1)</sup>
<b>pl103693</b>	115 V 50 - 60 Hz	4-20 mA	with 2 Relais <sup>(1)</sup>
<b>pl103697</b>	115 V 50 - 60 Hz	Modbus	without 2 Relais <sup>(1)</sup>
<b>pl103694</b>	20 .. 28 V DC	4-20 mA	without 2 Relais <sup>(1)</sup>
<b>pl103695</b>	20 .. 28 V DC	4-20 mA	with 2 Relais <sup>(1)</sup>

**Required information:** Rope or Tape version; measuring range 15 m or 30 m; evt. further menu presettings.

### Internal Heater <sup>(2)</sup>

<b>em100373</b>	680 Ohms	For power supply 230 V 50 - 60 Hz
<b>em100374</b>	220 Ohms	For power supply 115 V 50 - 60 Hz
<b>em100375</b>	8.2 Ohms	For power supply 20 .. 28 V DC

### Weather protection cover

<b>zu400217</b>
-----------------

<sup>(1)</sup> Implements the electronic components needed to control the Internal Heater (needed for option pos.22)

<sup>(2)</sup> Used for replacement for already mounted heater.

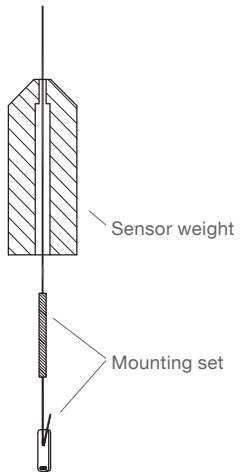
In case of re-fitting the Internal Heater, the electronics must include components for the Internal Heater Control (please contact factory).

**NB 4000 Spare parts**

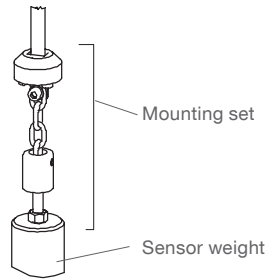
**Sensor weights/ Mounting set**

All sensor weights are delivered including stated parts for proper fixing to the rope/ tape

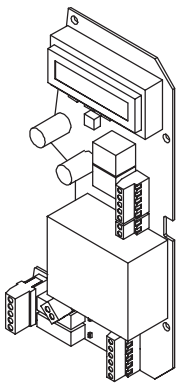
**Rope version**



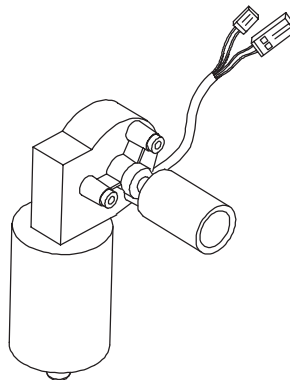
**Tape version**



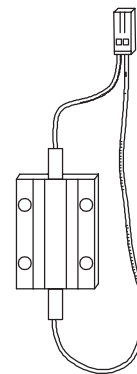
**Electronics**



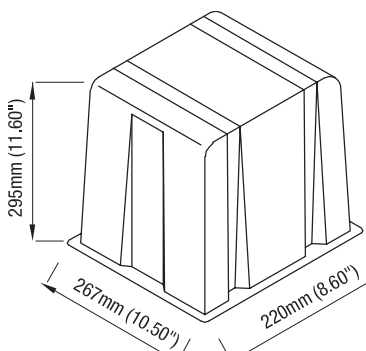
**Motor**



**Internal heater**



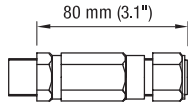
**Weather protection cover**



**NC 8000 Accessories / Spare parts**

Accessories

em440041 Cable gland M20 x 1.5 Ex-d

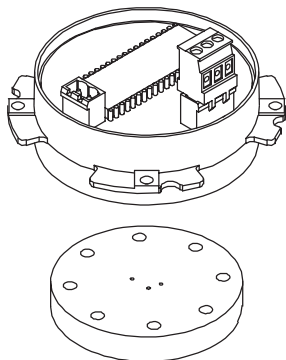


For use with version  
Flameproof ATEX, TR-CU (pos.2 T,L).  
Type: Stahl T3CDS 246560

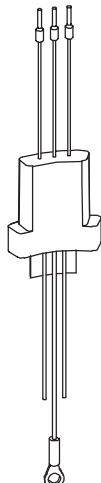
Spare parts

	Fitting to model code	Spare part Article number
<b>Electronic module</b>		
Electronic module 2-wire 4 - 20 mA	pos.4 A	pl440300
Internal Safety barrier (required for Ex approvals)	pos.4 A pos.2 T,W,U,N,D	pl440060
<b>Rope extension kit</b>		
1.4404 (SS316L), including fixing parts.		
"L"=1 m (39.4") Rope not PFA coated (rope can be shortened by customer)	pos.8 Z pos.9 2	zu440100
"L"=5 m (197") Rope not PFA coated (rope can be shortened by customer)	pos.8 Z pos.9 2	zu440110
"L"=10 m (394") Rope not PFA coated (rope can be shortened by customer)	pos.8 Z pos.9 2	zu440120
"L"=20 m (787") Rope not PFA coated (rope can be shortened by customer)	pos.8 Z pos.9 2	zu440130
"L"=1 m (39.4") Rope PFA coated (rope can <u>not</u> be shortened by customer)	pos.8 Z pos.9 3	zu440300
"L"=5 m (197") Rope PFA coated (rope can <u>not</u> be shortened by customer)	pos.8 Z pos.9 3	zu440310
"L"=10 m (394") Rope PFA coated (rope can <u>not</u> be shortened by customer)	pos.8 Z pos.9 3	zu440320
"L"=20 m (787") Rope PFA coated (rope can <u>not</u> be shortened by customer)	pos.8 Z pos.9 3	zu440330
<b>Rope weight</b>		
Single part, 1.4404 (SS316L), for use with rope versions (for not PFA coated rope only)	pos.8 Z pos.9 2	zu440350
<b>Mounting eye</b>		
Single part, 1.4404 (SS316L), for use with rope versions (for PFA coated rope only)	pos.8 Z pos.9 3 pos.18 x	zu440360

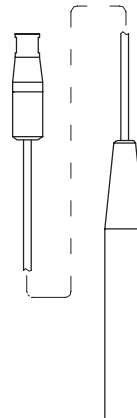
Electronic module



Internal Safety barrier



Rope extension kit



Rope weight



Mounting eye

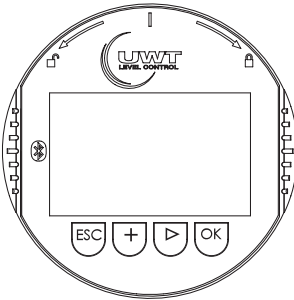
## NG 3000 / NG 8000 Accessories

---

pl400510 **Display and Adjustment Module** (plug on)

zu400530 **HART Modem**  
USB HART interface to connect a PC with the NG 3000, for commissioning and servicing.

Display and Adjustment Module



HART Modem



**NR 3000 Spare parts**

- zu400500 Adapter M20 x 1.5 to NPT 1/2" conduit**
- zu400510 Sun shield cover**  
stainless steel 1.4301/ 304
- zu400520 Non return valve**  
For purge inlet. Stainless steel. Connection of 6mm tube diameter. Opens at ca. 0.5 bar (7.25 psi).
- zu400530 HART Modem**  
USB HART Interface to connect a PC with the NR 3000 for commissioning and servicing.

**Protector plate for sensor lense**

Protection of the lense against condensation, dust, buildup, crystallisation.  
Mounting between unit flange and silo flange.  
Material PTFE. Available up to 100°C, 0,5bar, 40m range. Not in combination with Non return valve.

- zu400450** Fitting to flange 80 mm/ 3"
- zu400451** Fitting to flange 100 mm/ 4"
- zu400452** Fitting to flange 150 mm/ 6"

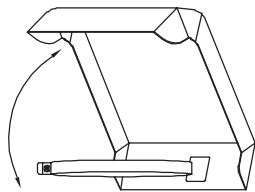
**Fixing material for mounting the unit on a flange**

- zu107010** 8 bolts M16 x 60, 16 washers, 8 nuts. Stainless steel. Fitting for 80 mm/ 3" and 100 mm/ 4" flanges
- zu107020** 8 bolts M20 x 60, 16 washers, 8 nuts. Stainless steel. Fitting for 150 mm/ 6" flanges

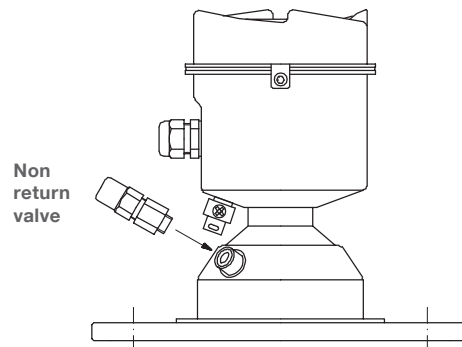
**Sealings for mounting the unit on a flange**

Flange sealing fitting for plane flange or Easy Aimer flange, EN 1092-1 (PN16), ASME B16.5 (150 lb), JIS 2220 (10K)  
Material AFM30, max. 250°C

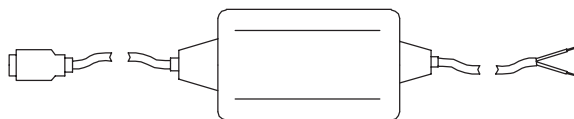
- di300135** 80 mm/ 3"
- di300136** 100 mm/ 4"
- di300137** 150 mm/ 6"



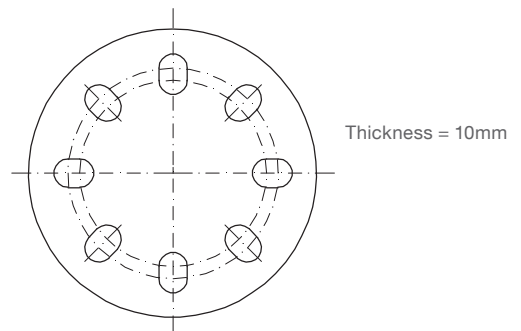
Sun protection cover



Non return valve



HART Modem



Protector plate for sensor lense

**NR 3000 Spare parts**

Spare parts

Spare part  
Article number

**Electronics**

Plug on display	pl400500
Electronic module, measurement range max. 40 m	pl400501
Electronic module, measurement range max. 100 m	pl400502

**Sealings**

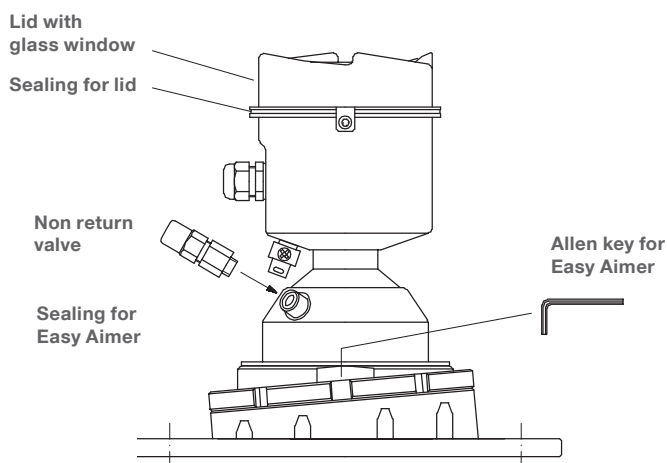
Sealing for lid	zu400505
-----------------	----------

**Housing**

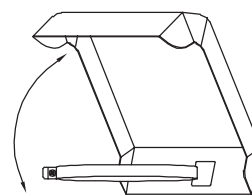
Lid with glas window	zu400509
Sun protection cover (stainless steel 1.4301/ 304)	zu400510

**Diverse**

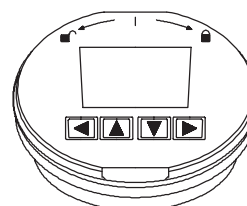
Non return valve	zu400520
Wrench for 100 mm/ 4" and 150 mm/ 6" Easy Aimer	zu400521
Allen key 3 mm for 100 mm/ 4" and 150 mm/ 6" Easy Aimer	zu400522



Sun protection cover



Plug on display





**NR 4000 Accessories**

Material for mounting

**Mounting bracket <sup>(1)</sup>**

Material 1.4404 (316L). Required counter nut G 1" made of plastics PP is included in sensor NR 4100

Incl.: 4 screws ø6 x 40 mm, washers, dowel ø8 x 40 mm

Suitable for installation with Ex-applications <sup>(3)</sup>

zu400454	Mounting bracket, vertically rotatable	L=80mm (3.2")
zu400455	Mounting bracket, vertically rotatable	L=200mm (7.9")

**Mounting plate rectangular <sup>(1)</sup>**

Process pressure max. 0,1 bar (1.45 psi).

Required counter nut G 1" made of plastics PP is included in sensor NR 4100

Incl. flat sealing between mounting plate and G 1" process connection

Not intendend for installation with Ex-applications

	Mounting plate rectangular:	Material:	Fitting screws for counter flange (not included):
zu400461	Fitting to DN80 / 3"	1.4404 (316L)	M16x60 (4 pieces)
zu400462	Fitting to DN100 / 4"	1.4404 (316L)	M16x60 (4 pieces)
zu400463	Fitting to DN150 / 6"	1.4404 (316L)	M20x80 (4 pieces)

**Mounting flange rectangular <sup>(1) (2)</sup>**

Temperature range -40 ... 80 °C (-40 ... 176 °F), process pressure max. 0,1 bar (1.45 psi)

Incl. flat sealing between mounting plate and G 1" process connection

Not intendend for installation with Ex-applications

	Mounting flange rectangular:	Material:	Fitting screws for counter flange (not included):
zu400465	Fitting to DN80 / 3"	PP	M16x60 (4 pieces)
zu400466	Fitting to DN100 / 4"	PP	M16x60 (4 pieces)
zu400467	Fitting to DN150 / 6"	PP	M20x80 (4 pieces)

**Aiming flange**

For aiming of the antenna in solids

Temperature range -40 ... 80 °C (-40 ... 176 °F), process pressure max. 0,1 bar (1.45 psi)

Not intendend for installation with Ex-applications

	Aiming flange:	Female thread:	Material:	Fitting screws for counter flange (not included):
zu400470	Fitting to DN80 / 3"	G 1"	PP GF30	M16x60 (4 pieces)
zu400471	Fitting to DN100 / 4"	G 1"	PP GF30	M16x60 (4 pieces)
zu400472	Fitting to DN80 / 3"	NPT 1"	PP GF30	M16x60 (4 pieces)
zu400473	Fitting to DN100 / 4"	NPT 1"	PP GF30	M16x60 (4 pieces)

**Standard flange <sup>(1) (2)</sup>**

DN flanges: type A (flat faced) , ASME flanges: raised face

Suitable for installation with Ex-applications <sup>(3)</sup>

	Flange:	Material:	Fitting screws for counter flange (not included):
zu400480	DN80 PN6, EN 1092-1	1.4541 (321)	M16x60 (4 pieces)
zu400481	DN80 PN6, EN 1092-1	1.4404 (316L)	M16x60 (4 pieces)
zu400482	DN80 PN16, EN 1092-1	1.4541 (321)	M16x60 (8 pieces)
zu400483	DN80 PN16, EN 1092-1	1.4404 (316L)	M16x60 (8 pieces)
zu400484	DN100 PN6, EN 1092-1	1.4541 (321)	M16x60 (4 pieces)
zu400485	DN100 PN6, EN 1092-1	1.4404 (316L)	M16x60 (4 pieces)
zu400486	DN100 PN16, EN 1092-1	1.4541 (321)	M16x60 (8 pieces)
zu400487	DN100 PN16, EN 1092-1	1.4404 (316L)	M16x60 (8 pieces)
zu400488	DN150 PN6, EN 1092-1	1.4541 (321)	M16x60 (8 pieces)
zu400489	DN150 PN6, EN 1092-1	1.4404 (316L)	M16x60 (8 pieces)
zu400490	DN150 PN16, EN 1092-1	1.4541 (321)	M20x80 (8 pieces)
zu400491	DN150 PN16, EN 1092-1	1.4404 (316L)	M20x80 (8 pieces)
zu400494	3" 150lbs ASME B16.5	1.4541 (321)	M16x100 (4 pieces)
zu400495	3" 150lbs ASME B16.5	1.4404 (316L)	M16x100 (4 pieces)
zu400496	4" 150lbs ASME B16.5	1.4541 (321)	M16x100 (8 pieces)
zu400497	4" 150lbs ASME B16.5	1.4404 (316L)	M16x100 (8 pieces)
zu400498	6" 150lbs ASME B16.5	1.4541 (321)	M20x80 (8 pieces)
zu400499	6" 150lbs ASME B16.5	1.4404 (316L)	M20x80 (8 pieces)

## NR 4000 Accessories

### Screws for flange fixing

Suitable for installation with Ex-applications <sup>(3)</sup>

		Screws:	Nuts:	Washers:	Material:
zu107002	M12 x 60	4 pieces	4 pieces	8 pieces	Stainless steel
zu107000	M16 x 60	4 pieces	4 pieces	8 pieces	Stainless steel
zu107010	M16 x 60	8 pieces	8 pieces	16 pieces	Stainless steel
zu107011	M16 x 100	4 pieces	4 pieces	8 pieces	Stainless steel
zu107012	M16 x 100	8 pieces	8 pieces	16 pieces	Stainless steel
zu107020	M20 x 60	8 pieces	8 pieces	16 pieces	Stainless steel
zu107018	M20 x 80	4 pieces	4 pieces	8 pieces	Stainless steel
zu107019	M20 x 80	8 pieces	8 pieces	16 pieces	Stainless steel

### Flange sealings

Fitting to mounting plates, mounting flanges, standard flanges EN 1092-1 (PN6, PN16), ASME B16.5 (150 lbs)

Temperature range -40 ... 200 °C (-40 ... 392 °F)

Not intended for installation with Ex-applications

	Flange sealing:	Material:
di300145	DN80 / 3"	AFM30
di300123	DN80 / 3"	Silicone
di300146	DN100 / 4"	AFM30
di300124	DN100 / 4"	Silicone
di300147	DN150 / 6"	AFM30
di300126	DN150 / 6"	Silicone

<sup>(1)</sup> Fitting to process connection NR 4100 with thread G 1" DIN ISO 228-1 (Pos.6 D).

<sup>(2)</sup> Flanges are delivered with thread G 1". They are threaded on the G 1" process connection of NR 4100. Sealing between flange and G 1" process connection is done by a flat sealing (included).

<sup>(3)</sup> Mounting with Ex applications: The components must be professionally mounted and installed in accordance with the manufacturer specification and the applicable national regulations, e.g. planning and installation in accordance with IEC/EN 60079-14.

## Complementary products (from outside companies)

### Terminal box / Conduct connector for extension of NR 4100 connection cable

Including 2 cable glands and connecting terminals

Possible manufacturer	Product	Series	Type	Protection method	For mounting in Ex area
Steute	Terminal box	Ex AD	Ex AD 85 e MK4 3xM20	Ex t	Zone 21
			Ex AD 85 i MK4 3xM20	Ex i	Zone 1
Stahl	Terminal box	8102	8102/21-32	Ex t	Zone 21
			8102/22-32	Ex i	Zone 1
Bartec	Terminal box	07-53	07-5311-9014	Ex t	Zone 21
			07-5312-9014	Ex i	Zone 1
Phoenix Contact	Conduct connector	Quickon	1414696	IP66/68	-

### Isolated barrier

Connection to NR 4100 with protection method Intrinsically Safe.

Supply 18-30V DC, interface 4-20mA/4-20mA, galvanic isolation

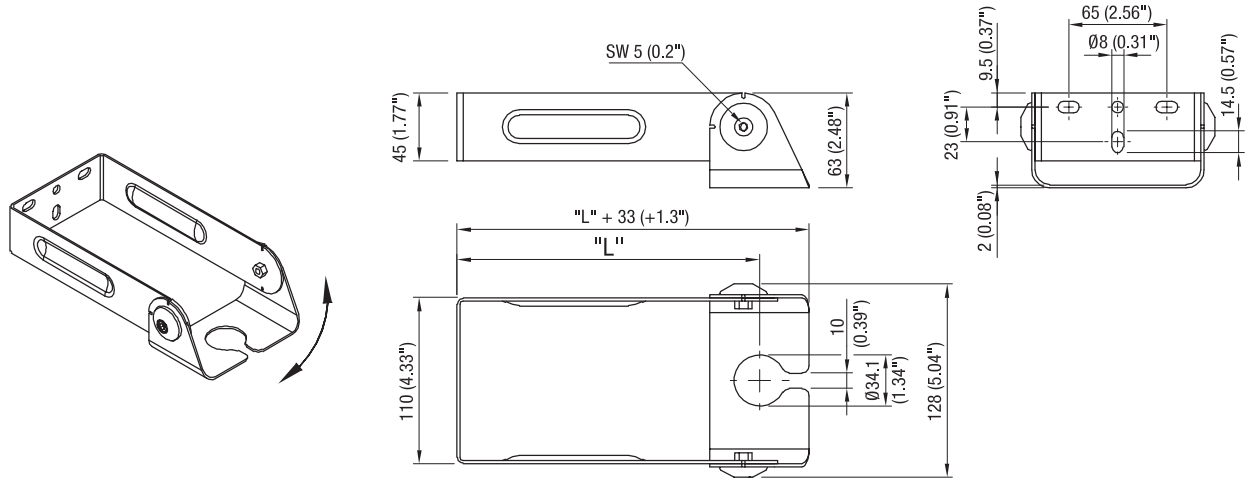
Possible manufacturer	Product / series	Type	Amount of channels	Protection method	Ex ratings for connection NR 4100 (field side)
Pepperl+Fuchs	Isolated barrier, K-System, Transmitter Power Supply	KCD2-STC-Ex1	1	[Ex ia Ga] [Ex ia Da]	U <sub>0</sub> =25,2 V I <sub>0</sub> =100 mA P <sub>0</sub> =630mW
		KFD2-STC5-Ex2	2	[Ex ia Ga] [Ex ia Da]	U <sub>0</sub> =26,2 V I <sub>0</sub> =115 mA P <sub>0</sub> =784mW

**NR 4000 Accessories**

**Mounting bracket**

**Mounting bracket, vertically rotatable**

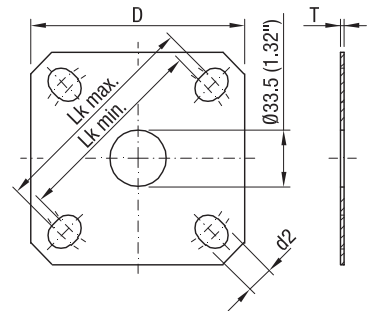
Article number: zu400454, zu400455



**Mounting plate**

**Mounting plate rectangular, 1.4404 (316L), 2 .. 3mm (0.08 .. 0.12")**

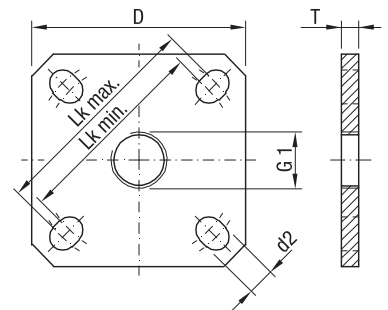
Article-number	d2 mm (Inch)	Lk min. mm (Inch)	Lk max. mm (Inch)	D mm (Inch)	T (thickness) mm (Inch)	Fitting to counter flanges
zu400461	19,1 (0.75)	150,0 (5.90)	160,0 (6.3)	150,0 (5.90)	2 (0.08)	DN80 PN6 EN 1092-1 DN80 PN16 EN 1092-1 3" ASME B16.5 150 lb
zu400462	19,1 (0.75)	170,0 (6.69)	190,5 (7.5)	170,0 (6.69)	2 (0.08)	DN100 PN6 EN 1092-1 DN100 PN16 EN 1092-1 4" ASME B16.5 150 lb
zu400463	21,0 (0.82)	225,0 (8.86)	241,3 (9.5)	215,0 (8.46)	3 (0.12)	DN150 PN6 EN 1092-1 DN150 PN16 EN 1092-1 6" ASME B16.5 150 lb



**Mounting flange**

**Mounting flange rectangular, PP, 10 .. 18mm (0.39 .. 0.71")**

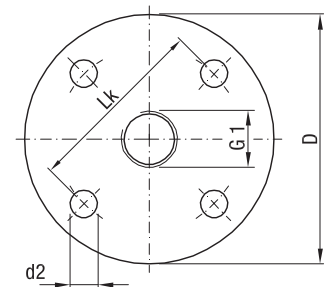
Article-number	d2 mm (Inch)	Lk min. mm (Inch)	Lk max. mm (Inch)	D mm (Inch)	T (thickness) mm (Inch)	Fitting to counter flanges
zu400465	19,1 (0.75)	150,0 (5.90)	160,0 (6.3)	150,0 (5.90)	10...12 (0.39...0.47)	DN80 PN6 EN 1092-1 DN80 PN16 EN 1092-1 3" ASME B16.5 150 lb
zu400466	19,1 (0.75)	170,0 (6.69)	190,5 (7.5)	170,0 (6.69)	10...12 (0.39...0.47)	DN100 PN6 EN 1092-1 DN100 PN16 EN 1092-1 4" ASME B16.5 150 lb
zu400467	21,0 (0.82)	225,0 (8.86)	241,3 (9.5)	215,0 (8.46)	15...18 (0.59...0.71)	DN150 PN6 EN 1092-1 DN150 PN16 EN 1092-1 6" ASME B16.5 150 lb



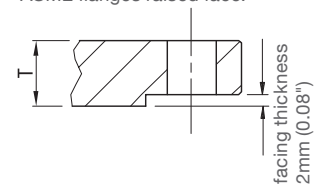
## NR 4000 Accessories

### Standard flange

Article-number	Type	Number of holes	d2 mm (Inch)	Lk mm (Inch)	D mm (Inch)	T (thickness) mm (Inch)
zu400480/ -481	DN80 PN6	4	18,0 (0.71)	150,0 (5.91)	190,0 (7.48)	16,0 (0.63)
zu400482/ -483	DN80 PN16	8	18,0 (0.71)	160,0 (6.3)	200,0 (7.87)	20,0 (0.79)
zu400484/ -485	DN100 PN6	4	18,0 (0.71)	170,0 (6.69)	210,0 (8.27)	16,0 (0.63)
zu400486/ -487	DN100 PN16	8	18,0 (0.71)	180,0 (7.09)	220,0 (8.66)	20,0 (0.79)
zu400488/ -489	DN150 PN6	8	18,0 (0.71)	225 (8.85)	265 (10.43)	18,0 (0.71)
zu400490/ -491	DN150 PN16	8	22,0 (0.87)	240,0 (9.45)	285,0 (11.2)	22,0 (0.87)
zu400494/ -495	ASME 3" 150 lbs	4	19,1 (0.75)	152,4 (6.01)	190,5 (7.5)	23,9 (0.94)
zu400496/ -497	ASME 4" 150 lbs	8	19,1 (0.75)	190,5 (7.5)	228,6 (9.0)	23,9 (0.94)
zu400498/ -499	ASME 6" 150 lbs	8	22,2 (0.87)	241,3 (9.5)	279,4 (11.0)	25,4 (1.0)



ASME flanges raised face:



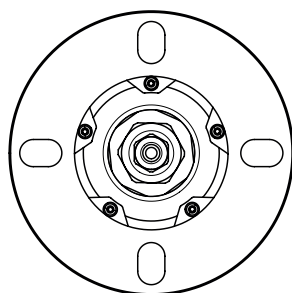
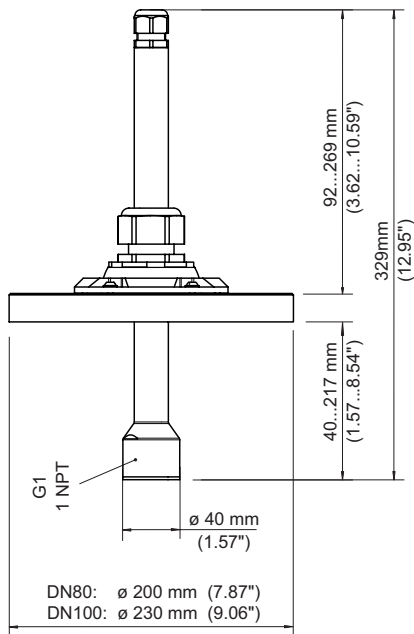
DN flanges: EN 1092-1 type A, flat faced  
 ASME flanges: B16.5 raised face

**NR 4000 Accessories**

**Aiming flange**

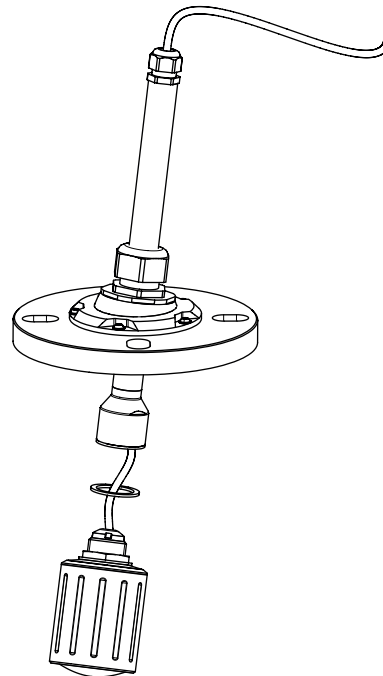
Aiming flange Article-number	Fitting to counter flanges	Female thread to fix NR 4100	Fitting NR 4100
zu400470	DN80 PN6 - PN40 EN 1092-1 3" ASME B16.5 150 lb	G1"	With tread G 1" DIN ISO 228-1 (Pos.6 D)
zu400471	DN100 PN6 - PN16 EN 1092-1 4" ASME B16.5 150 lb	G1"	With tread G 1" DIN ISO 228-1 (Pos.6 D)
zu400472	DN80 PN6 - PN40 EN 1092-1 3" ASME B16.5 150 lb	NPT 1"	With tread NPT 1" ANSI B 1.20.1 (Pos.6 E)
zu400473	DN100 PN6 - PN16 EN 1092-1 4" ASME B16.5 150 lb	NPT 1"	With tread NPT 1" ANSI B 1.20.1 (Pos.6 E)

**Aiming flange**



The aiming flange allows to continuously adjust an angle from 0° bis 13°. The vertical adjustment varies between 0 to 177mm (7.0").

**Mounting**



1. Loosen and remove the counter nut delivered with the sensor. The counter nut is no longer required.
2. Thread the enclosed seal (only with G-thread) onto the connecting cable and place the seal on the sensor.
3. Feed the sensor connecting cable completely through the tube of the alignment device.
4. Screw in the sensor (torque: maximum 5 Nm).
5. Tighten the upper cable gland.
6. Place and fix the alignment device on the tank flange. Make sure that the seal is sitting correctly.
7. Set the vertical position of the sensor:  
Loosen the lower cable gland, shift the tube and re-tighten the lower cable gland.
8. Set the angle of the sensor:  
Loosen the screw, set the angle of the sensor and re-tighten the screws. Always tighten the diagonally opposite screws alternately. This prevents uneven load distribution.

## NR 7000 Accessories

### Material for mounting

#### Mounting bracket <sup>(1)</sup>

Material 1.4404 (316L).

Incl.: Counter nut G 1 1/2" made of PP, 4 screws ø6 x 40 mm, washers, dowel ø8 x 40 mm

Suitable for installation with Ex-applications <sup>(3)</sup>

zu400754	Mounting bracket, vertically rotatable	L=80mm (3.2")
zu400755	Mounting bracket, vertically rotatable	L=200mm (7.9")

#### Mounting plate rectangular <sup>(1)</sup>

Process pressure max. 0,1 bar (1.45 psi)

Incl. counter nut G 1 1/2" made of PP and flat sealing betw. mounting plate and G 1 1/2" process connection

Not intendend for installation with Ex-applications

	Mounting plate rectangular:	Material:	Fitting screws for counter flange (not included):
zu400761	Fitting to DN80 / 3"	1.4404 (316L)	M16x60 (4 pieces)
zu400762	Fitting to DN100 / 4"	1.4404 (316L)	M16x60 (4 pieces)
zu400763	Fitting to DN150 / 6"	1.4404 (316L)	M20x80 (4 pieces)

#### Mounting flange rectangular <sup>(1) (2)</sup>

Temperature range -40 ... 80 °C (-40 ... 176 °F), process pressure max. 0,1 bar (1.45 psi)

Not intendend for installation with Ex-applications

	Mounting flange rectangular:	Material:	Fitting screws for counter flange (not included):
zu400764	Fitting to DN50 / 2"	PP	M12x60 (4 pieces)
zu400765	Fitting to DN80 / 3"	PP	M16x60 (4 pieces)
zu400766	Fitting to DN100 / 4"	PP	M16x60 (4 pieces)
zu400767	Fitting to DN150 / 6"	PP	M20x80 (4 pieces)

#### Variable seal <sup>(1)</sup>

For aiming of the antenna in solids.

Temperature range -40 ... 80 °C (-40 ... 176 °F), process pressure max. 0,1 bar (1.45 psi)

Used in combination with mounting flange rectangular

Not intendend for installation with Ex-applications

	Variable seal:	Material:	Fitting screws for counter flange (not included):
zu400772	Fitting to DN100 PN16	EPDM	M14x100 (4 pieces)
zu400773	Fitting to DN150 PN16	EPDM	M14x100 (4 pieces)

#### Standard flange <sup>(1) (2)</sup>

DN flanges: type A (flat faced) , ASME flanges: raised face

Suitable for installation with Ex-applications <sup>(3)</sup>

	Flange:	Material:	Fitting screws for counter flange (not included):
zu400776	DN50 PN6, EN 1092-1	1.4541 (321)	M12x60 (4 pieces)
zu400777	DN50 PN6, EN 1092-1	1.4404 (316L)	M12x60 (4 pieces)
zu400778	DN50 PN16, EN 1092-1	1.4541 (321)	M16x60 (4 pieces)
zu400779	DN50 PN16, EN 1092-1	1.4404 (316L)	M16x60 (4 pieces)
zu400780	DN80 PN6, EN 1092-1	1.4541 (321)	M16x60 (4 pieces)
zu400781	DN80 PN6, EN 1092-1	1.4404 (316L)	M16x60 (4 pieces)
zu400782	DN80 PN16, EN 1092-1	1.4541 (321)	M16x60 (8 pieces)
zu400783	DN80 PN16, EN 1092-1	1.4404 (316L)	M16x60 (8 pieces)
zu400784	DN100 PN6, EN 1092-1	1.4541 (321)	M16x60 (4 pieces)
zu400785	DN100 PN6, EN 1092-1	1.4404 (316L)	M16x60 (4 pieces)
zu400786	DN100 PN16, EN 1092-1	1.4541 (321)	M16x60 (8 pieces)
zu400787	DN100 PN16, EN 1092-1	1.4404 (316L)	M16x60 (8 pieces)
zu400788	DN150 PN6, EN 1092-1	1.4541 (321)	M16x60 (8 pieces)
zu400789	DN150 PN6, EN 1092-1	1.4404 (316L)	M16x60 (8 pieces)
zu400790	DN150 PN16, EN 1092-1	1.4541 (321)	M20x80 (8 pieces)
zu400791	DN150 PN16, EN 1092-1	1.4404 (316L)	M20x80 (8 pieces)
zu400792	2" 150lbs ASME B16.5	1.4541 (321)	M16x60 (4 pieces)
zu400793	2" 150lbs ASME B16.5	1.4404 (316L)	M16x60 (4 pieces)
zu400794	3" 150lbs ASME B16.5	1.4541 (321)	M16x100 (4 pieces)
zu400795	3" 150lbs ASME B16.5	1.4404 (316L)	M16x100 (4 pieces)
zu400796	4" 150lbs ASME B16.5	1.4541 (321)	M16x100 (8 pieces)
zu400797	4" 150lbs ASME B16.5	1.4404 (316L)	M16x100 (8 pieces)
zu400798	6" 150lbs ASME B16.5	1.4541 (321)	M20x80 (8 pieces)
zu400799	6" 150lbs ASME B16.5	1.4404 (316L)	M20x80 (8 pieces)

## NR 7000 Accessories

### Screws for flange fixing

Suitable for installation with Ex-applications <sup>(3)</sup>

		Screws:	Nuts:	Washers:	Material:
zu107002	M12 x 60	4 pieces	4 pieces	8 pieces	Stainless steel
zu107005	M14 x 100	4 pieces	4 pieces	8 pieces	Stainless steel
zu107000	M16 x 60	4 pieces	4 pieces	8 pieces	Stainless steel
zu107010	M16 x 60	8 pieces	8 pieces	16 pieces	Stainless steel
zu107011	M16 x 100	4 pieces	4 pieces	8 pieces	Stainless steel
zu107012	M16 x 100	8 pieces	8 pieces	16 pieces	Stainless steel
zu107020	M20 x 60	8 pieces	8 pieces	16 pieces	Stainless steel
zu107018	M20 x 80	4 pieces	4 pieces	8 pieces	Stainless steel
zu107019	M20 x 80	8 pieces	8 pieces	16 pieces	Stainless steel

### Flange sealings

Fitting to mounting plates, mounting flanges, standard flanges EN 1092-1 (PN6, PN16), ASME B16.5 (150 lb)

Temperature range -40 ... 200 °C (-40 ... 392 °F)

Not intended for installation with Ex-applications

	Flange sealing:	Material:
di300134	DN50 / 2"	AFM30
di300122	DN50 / 2"	Silicone
di300145	DN80 / 3"	AFM30
di300123	DN80 / 3"	Silicone
di300146	DN100 / 4"	AFM30
di300124	DN100 / 4"	Silicone
di300147	DN150 / 6"	AFM30
di300126	DN150 / 6"	Silicone

### Hygienic connections (adapter) <sup>(1)</sup>

Suitable for installation with Ex-applications <sup>(3)</sup>

zu400705	Triclamp DN50 (2") DIN 32676 Type A (DIN 11851), DIN 32676 Type C (ASME BPE 2009), 1.4404 (316L)
zu400706	Triclamp DN60,3 (2 1/2") DIN 32676 Type B (DIN 11851), DIN 32676 Type C (ASME BPE 2009), 1.4404(316L)
zu400707	Triclamp DN65 (3") DIN 32676 Type A (DIN 11851), DIN 32676 Type C (ASME BPE 2009), 1.4404 (316L)
zu400708	Slotted nut DN50 DIN 11851, 1.4404 (316L)
zu400709	Slotted nut DN65 DIN 11851, 1.4404 (316L)

<sup>(1)</sup> Fitting to process connection NR 7000 with thread G 1 1/2" DIN ISO 228-1 (pos.6 A).

<sup>(2)</sup> Flanges are delivered with thread G 1 1/2". They are threaded on the G 1 1/2" process connection of NR 7000.

Sealing between flange and G 1 1/2" process connection is done by a flat sealing (included).

<sup>(3)</sup> Mounting with Ex applications: The components must be professionally mounted and installed in accordance with the manufacturer specification and the applicable national regulations, e.g. planning and installation in accordance with IEC/EN 60079-14.

## Complementary products (from outside companies)

### Isolated barrier

Connection to NR 7200 with protection method Intrinsically Safe.

Supply 18-30V DC, interface 4-20mA/4-20mA, galvanic isolation

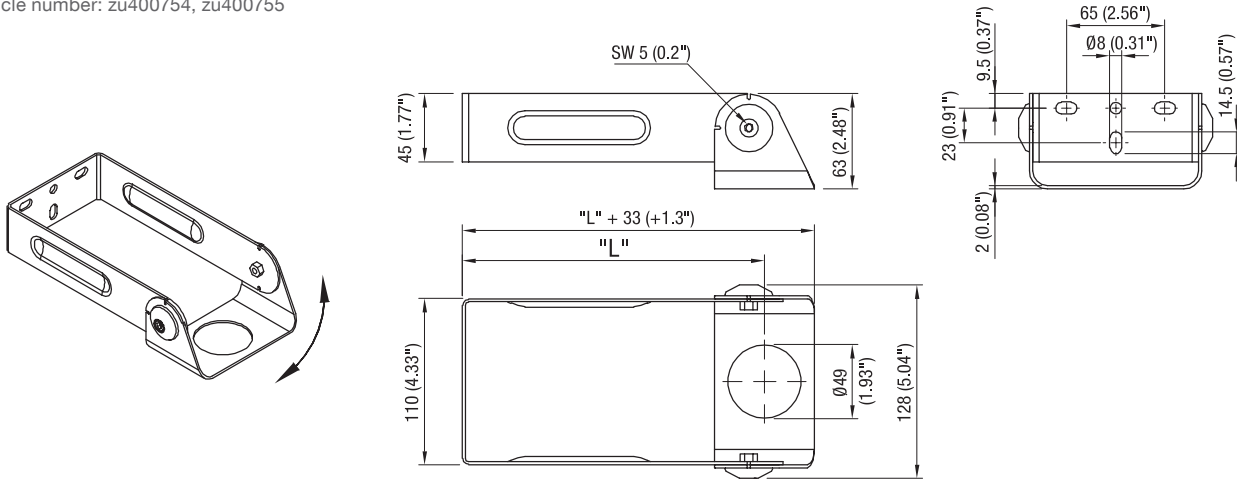
Possible manufacturer	Product / series	Type	Amount of channels	Protection method	Ex ratings for connection NR 7200 (field side)
Pepperl+Fuchs	Isolated barrier, K-System, Transmitter Power Supply	KCD2-STC-Ex1	1	[Ex ia Ga] [Ex ia Da]	$U_0=25,2\text{ V}$ $I_0=100\text{ mA}$ $P_0=630\text{ mW}$
		KFD2-STC5-Ex2	2	[Ex ia Ga] [Ex ia Da]	$U_0=26,2\text{ V}$ $I_0=115\text{ mA}$ $P_0=784\text{ mW}$

## NR 7000 Accessories

### Mounting bracket

#### Mounting bracket, vertically rotatable

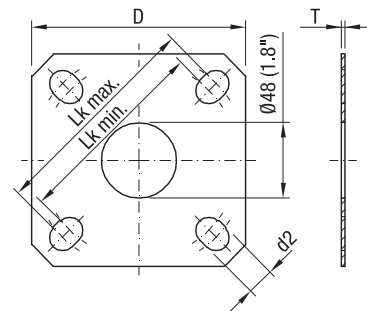
Article number: zu400754, zu400755



### Mounting plate

#### Mounting plate rectangular, 1.4404 (316L), 2 .. 3mm (0.08 .. 0.12")

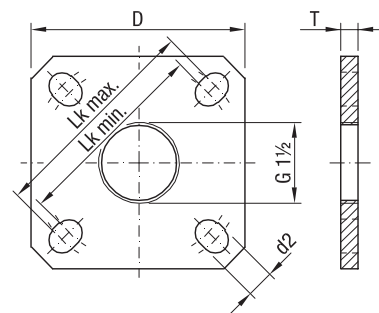
Article-number	d2 mm (Inch)	Lk min. mm (Inch)	Lk max. mm (Inch)	D mm (Inch)	T (thickness) mm (Inch)	Fitting to counter flanges
zu400761	19,1 (0.75)	150,0 (5.90)	160,0 (6.3)	150,0 (5.90)	2 (0.08)	DN80 PN6 EN 1092-1 DN80 PN16 EN 1092-1 3" ASME B16.5 150 lb
zu400762	19,1 (0.75)	170,0 (6.69)	190,5 (7.5)	170,0 (6.69)	2 (0.08)	DN100 PN6 EN 1092-1 DN100 PN16 EN 1092-1 4" ASME B16.5 150 lb
zu400763	21,0 (0.82)	225,0 (8.86)	241,3 (9.5)	215,0 (8.46)	3 (0.12)	DN150 PN6 EN 1092-1 DN150 PN16 EN 1092-1 6" ASME B16.5 150 lb



### Mounting flange

#### Mounting flange rectangular, PP, 10 .. 18mm (0.39 .. 0.71")

Article-number	d2 mm (Inch)	Lk min. mm (Inch)	Lk max. mm (Inch)	D mm (Inch)	T (thickness) mm (Inch)	Fitting to counter flanges
zu400764	19,1 (0.75)	110,0 (4.33)	125,0 (4.92)	125,0 (4.92)	10...12 (0.39...0.47)	DN50 PN6 EN 1092-1 DN50 PN16 EN 1092-1 2" ASME B16.5 (150 lb)
zu400765	19,1 (0.75)	150,0 (5.90)	160,0 (6.3)	150,0 (5.90)	10...12 (0.39...0.47)	DN80 PN6 EN 1092-1 DN80 PN16 EN 1092-1 3" ASME B16.5 150 lb
zu400766	19,1 (0.75)	170,0 (6.69)	190,5 (7.5)	170,0 (6.69)	10...12 (0.39...0.47)	DN100 PN6 EN 1092-1 DN100 PN16 EN 1092-1 4" ASME B16.5 150 lb
zu400767	21,0 (0.82)	225,0 (8.86)	241,3 (9.5)	215,0 (8.46)	15...18 (0.59...0.71)	DN150 PN6 EN 1092-1 DN150 PN16 EN 1092-1 6" ASME B16.5 150 lb



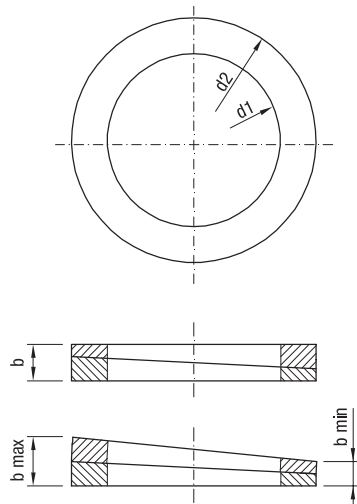


**NR 7000 Accessories**

**Variable seal**

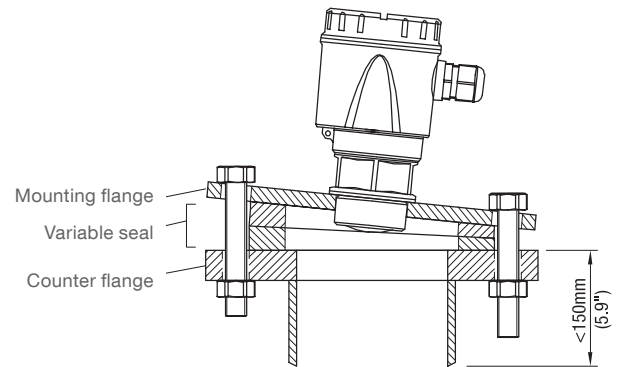
Variable seal Article number	d1 mm (Inch)	d2 mm (Inch)	b mm (Inch)	b max mm (Inch)	b min mm (Inch)	Fitting Mounting flange rectangular	Fitting to counter flanges
zu400772	115,0 (4.53)	162,0 (6.34)	24 (0.94)	33 (1.30)	14 (0.55)	zu400766	DN100 PN16 EN 1092-1
zu400773	169,0 (6.65)	218,0 (8.58)	27 (1.06)	39 (1.54)	14 (0.55)	zu400767	DN150 PN16 EN 1092-1
zu400774	115,0 (4.53)	171,0 (6.73)	24 (0.94)	33 (1.30)	14 (0.55)	zu400766	4" ASME B16.5 150 lb
zu400775	168,0 (6.61)	219,0 (8.62)	27 (1.06)	39 (1.54)	14 (0.55)	zu400767	6" ASME B16.5 150 lb

**Variable seal**



The variable seal consists of an upper and lower disk which can be rotated against each other. This allows to continuously adjust an angle from 0° to 8°.

**Mounting**



The variable seal is being clamped between Mounting flange and counter flange.

Fixing torque of the screws 5-10Nm.

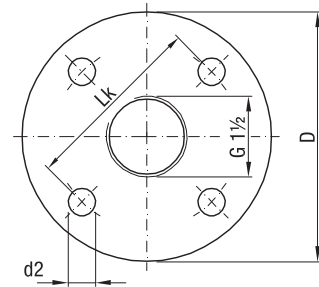
Observe:

- Max. length of socket
- Grease or oil may damage the seal
- Avoid multiple use, this may reduce the tightness

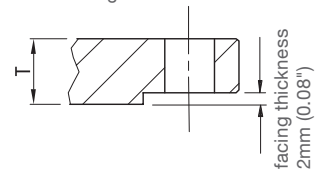
## NR 7000 Accessories

### Standard flange

Article-number	Type	Number of holes	d2 mm (Inch)	Lk mm (Inch)	D mm (Inch)	T (thickness) mm (Inch)
zu400776/ -777	DN50 PN6	4	14,0 (0.55)	110,0 (4.33)	140,0 (5.51)	14,0 (0.55)
zu400778/ -779	DN50 PN16	4	18,0 (0.71)	125,0 (4.92)	165,0 (6.5)	18,0 (0.71)
zu400780/ -781	DN80 PN6	4	18,0 (0.71)	150,0 (5.91)	190,0 (7.48)	16,0 (0.63)
zu400782/ -783	DN80 PN16	8	18,0 (0.71)	160,0 (6.3)	200,0 (7.87)	20,0 (0.79)
zu400784/ -785	DN100 PN6	4	18,0 (0.71)	170,0 (6.69)	210,0 (8.27)	16,0 (0.63)
zu400786/ -787	DN100 PN16	8	18,0 (0.71)	180,0 (7.09)	220,0 (8.66)	20,0 (0.79)
zu400788/ -789	DN150 PN6	8	18,0 (0.71)	225 (8.85)	265 (10.43)	18,0 (0.71)
zu400790/ -791	DN150 PN16	8	22,0 (0.87)	240,0 (9.45)	285,0 (11.2)	22,0 (0.87)
zu400792/ -793	ASME 2" 150 lbs	4	19,1 (0.75)	120,7 (4.75)	152,4 (6.01)	19,1 (0.75)
zu400794/ -795	ASME 3" 150 lbs	4	19,1 (0.75)	152,4 (6.01)	190,5 (7.5)	23,9 (0.94)
zu400796/ -797	ASME 4" 150 lbs	8	19,1 (0.75)	190,5 (7.5)	228,6 (9.0)	23,9 (0.94)
zu400798/ -799	ASME 6" 150 lbs	8	22,2 (0.87)	241,3 (9.5)	279,4 (11.0)	25,4 (1.0)



ASME flanges raised face:



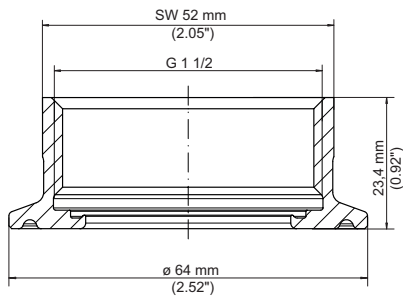
DN flanges: EN 1092-1 type A, flat faced  
ASME flanges: B16.5 raised face

### Hygienic connections (adapter)

#### Triclamp

Article number: zu400705

DN50 (2")

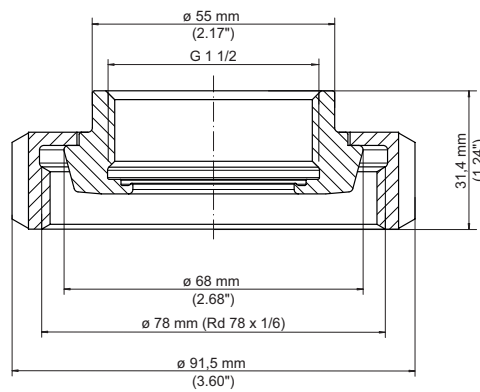


O-ring sealing EPDM  
-40 .. +80 °C (-40 .. +176 °F)  
Ra < 0,76um

#### Slotted nut

Article number: zu400708

DN50

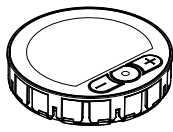


O-ring sealing EPDM  
-40 .. +80 °C (-40 .. +176 °F)

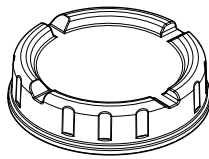
**NR 7000 Spare parts**

	Spare part Article number
Plug on Display (for NR 7200)	zu400713
Lid blue (for NR 7100 and NR 7200 without Plug on Display)	zu400714
Lid transparent (for NR 7200 with Plug on Display)	zu400715
Lid sealing (O-Ring)	zu400716
Counter nut G 1 1 /2", material PP	zu300182

Plug on Display



Lid



Lid sealing



## RF 3000 Spare parts

Fitting to unit/ model code	Spare part Article number
-----------------------------	---------------------------

### Electronics

Universal voltage, Relais DPDT	pos.3 L	pl407100
--------------------------------	---------	----------

### Remote version

Remote cable (special Triaxial cable), price per 1,000 mm (39.4")	pos.13 x	zu400700
Angle bracket, 1.4301 (304)	pos.14 x	zu400701

### Rod extension kit, rigid

For ø10 mm (ø0.39") rod, length 400 mm (15.7"), 1.4404 (316L)	pos.19 a	zu400710
For ø22 mm (ø0.87") rod, length 400 mm (15.7"), 1.4404 (316L)	pos.19 b	zu400711

### Rod extension kit, flexible (pendulum rod)

For ø10 mm (ø0.39") rod, length 1.000 mm (39.4"), 1.4301/ 1.4305 (304/303)	pos.20 a	zu400720
--	----------	----------

### Rope extension kit

For ø10 mm (ø0.39") rod, rope ø4 mm (ø0.16"), length 2,000 mm (78.7"), 1.4301/ 1.4305 (304/303)	pos.21 a	zu400730
For ø10mm (ø0.39") rod, rope ø4 mm (ø0.16"), length 2,000 mm (78.7"), 1.4404 (316L)/ rope 1.4401(316)	pos.21 b	zu400731
For ø22 mm (ø0.87") rod, rope ø8 mm (ø0.31"), length 2,000 mm (78.7"), 1.4404 (316L)/ rope 1.4401(316)	pos.21 c	zu400732

### Single parts for rope version

Rope ø4 mm (ø0.16"), 1.4401 (316), not coated, price per 1,000 mm (39.4")	RF 3100	zu400740
Rope ø4 mm (ø0.16"), 1.4401 (316), coated, price per 1,000 mm (39.4")	RF 3100	zu400741
Rope weight ø22 mm (ø0.87"), 1.4301/ 1.4305 (304/ 303) *	RF 3100	zu400742
Rope weight ø22 mm (ø0.87"), 1.4404 (316L) *	RF 3100	zu400743
Rope holder ø22 mm (ø0.87"), 1.4301/ 1.4305 (304/303) *	RF 3100	zu400744
Rope holder ø22 mm (ø0.87"), 1.4404 (316L) *	RF 3100	zu400745
Rope ø8 mm (ø0.31"), 1.4401 (316), not coated, price per 1,000 mm (39.4")	RF 3200, RF 3300	zu400746
Rope weight ø35 mm (ø1.38"), 1.4301/ 1.4305 (304/ 303) *	RF 3200, RF 3300	zu400747
Rope weight ø35 mm (ø1.38"), 1.4404 (316L) *	RF 3200, RF 3300	zu400748
Rope holder ø22 mm (ø0.87"), 1.4301/ 1.4305 (304/ 303) *	RF 3200, RF 3300	zu400749
Rope holder ø22 mm (ø0.87"), 1.4404 (316L) *	RF 3200, RF 3300	zu400750

\*delivery including fixing parts

### Hexagon nut

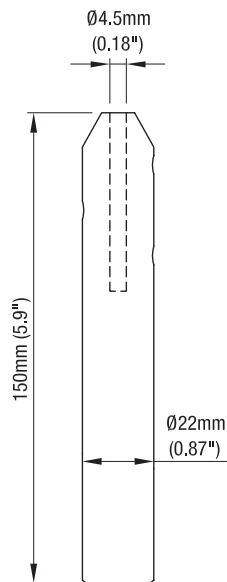
G 1½" 1.4305 (303)	pos.27	zu300180
G 1¼" 1.4305 (303)	pos.27	zu300181
G 1" 1.4305 (303)	pos.27	zu200160
G ¾" 1.4305 (303)	pos.27	zu200140
M32 x 1.5 1.4305 (303)	pos.27	zu200130
M30 x 1.5 1.4305 (303)	pos.27	zu200180

### Weather protection cover

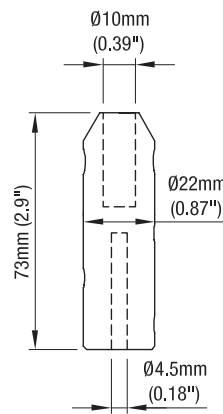
For standard housing	pos.32 x	zu300232
----------------------	----------	----------

**RF 3000 Spare parts**

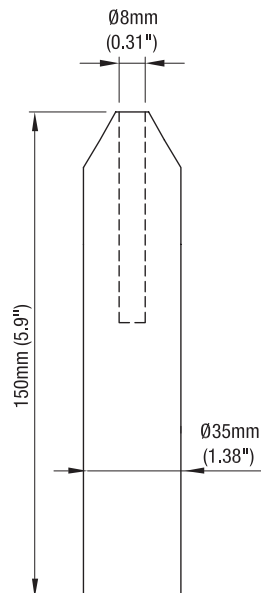
**Rope weight ø22 RF3100**  
zu400742 / zu400743  
including fixing parts  
(grub screws)



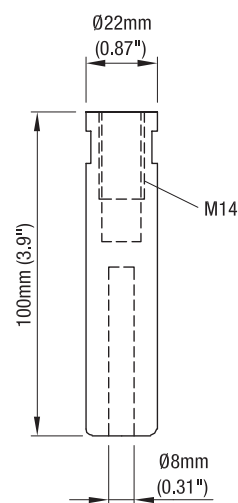
**Rope holder ø22 RF3100**  
zu400744 / zu400745  
including fixing parts  
(split pin, grub screws)



**Rope weight ø35 RF3200 / RF3300**  
zu400747 / zu400748  
including fixing parts  
(grub screws)



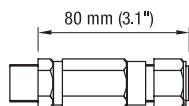
**Rope holder ø22 RF3200 / RF3300**  
zu400749 / zu400750  
including fixing parts  
(grub screws)



## RF 8000 Accessories

---

em440041 Cable gland M20 x 1.5 Ex-d



For use with version  
Flameproof ATEX, TR-CU (pos.2 T,L).  
Type: Stahl T3CDS 246560

## RF 8000 Spare parts

Fitting to model code	Spare part Article number
-----------------------	---------------------------

### Electronic module

Standard: Relay SPDT/ Solid State 12 ... 250 V AC/ DC  
 Digital: Profibus PA/ Solid State 12 ... 30 V DC (24 V intrinsic safe) LCD display

Electronic module Standard	For all rod versions and for rope version "L"≤5 m	pos.4 E	pl440200
Electronic module Standard	For rope version "L">5 m	pos.4 E pos.8 Q,Z (>5 m)	pl440210
Electronic module Digital	For all rod versions and for rope version "L"≤5 m	pos.4 F	pl440220
Electronic module Digital	For rope version "L">5 m	pos.4 F pos.8 Q,Z (>5 m)	pl440230
Internal Safety barrier (required for Ex approvals)		pos.4 E,F pos.2 T,W,U,N,D	pl440060

### Rod extension kit

1.4404 (SS316L), including fixing parts. Rod can be shortened by customer.  
 Stated Length of extension "L" is with use of active shield length 125 mm.  
 If required the rod extension kit can simply be mounted on a unit where a rope extension is present.

"L"=350 mm (13.8")	Rod length=180 mm (7.1")	pos.8 A	zu440010
"L"=500 mm (19.7")	Rod length=330 mm (13.0")	pos.8 B	zu440020
"L"=750 mm (29.5")	Rod length=580 mm (22.8")	pos.8 C	zu440030
"L"=1,000 mm (39.4")	Rod length=830 mm (32.7")	pos.8 D	zu440040

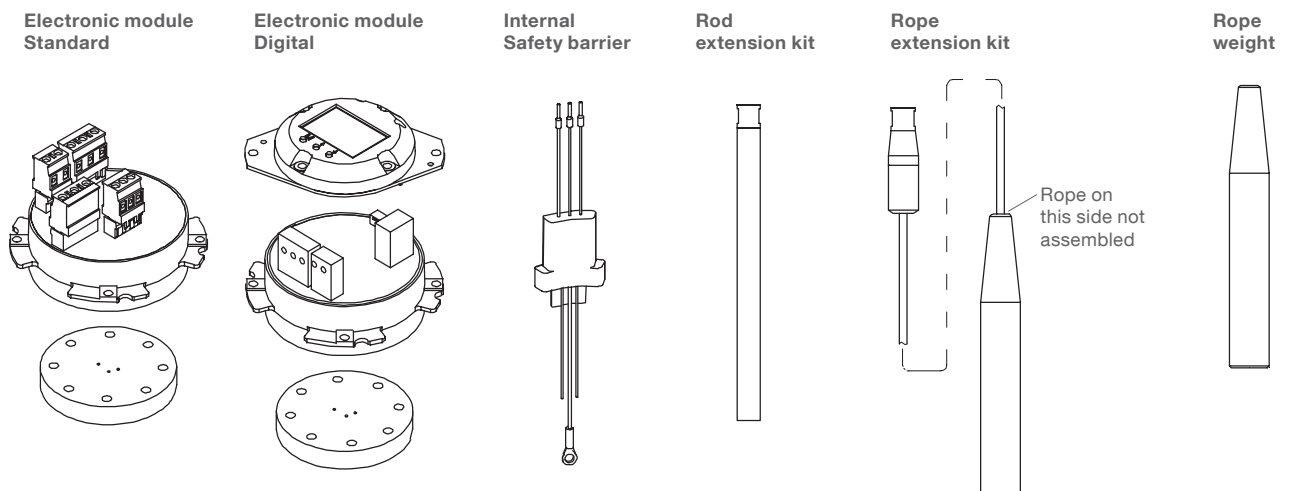
### Rope extension kit

1.4404 (SS316L), including fixing parts. Rope can be shortened by customer.  
 Stated Length of extension "L" is with use of active shield length 125 mm.  
 If required the rope extension kit can simply be mounted on a unit where a rod extension is present.

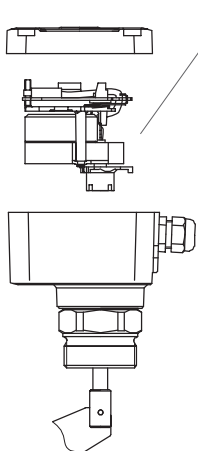
"L"=1 m (39.4")	Rope not PFA coated	pos.8 P,Q,Z pos.10 2	zu440100
"L"=5 m (197")	Rope not PFA coated	pos.8 P,Q,Z pos.10 2	zu440110
"L"=10 m (394")	Rope not PFA coated	pos.8 P,Q,Z pos.10 2	zu440120
"L"=20 m (787")	Rope not PFA coated	pos.8 P,Q,Z pos.10 2	zu440130
"L"=1 m (39.4")	Rope PFA coated	pos.8 P,Q,Z pos.10 3	zu440200
"L"=5 m (197")	Rope PFA coated	pos.8 P,Q,Z pos.10 3	zu440210
"L"=10 m (394")	Rope PFA coated	pos.8 P,Q,Z pos.10 3	zu440220
"L"=20 m (787")	Rope PFA coated	pos.8 P,Q,Z pos.10 3	zu440230

### Rope weight

Single part, 1.4404 (SS316L), for use with rope not PFA coated and PFA coated	pos.8 P,Q,Z	zu440350
---	-------------	----------



RN 3000 /6000 Spare parts



Series RN 3000 Motor/ PCB

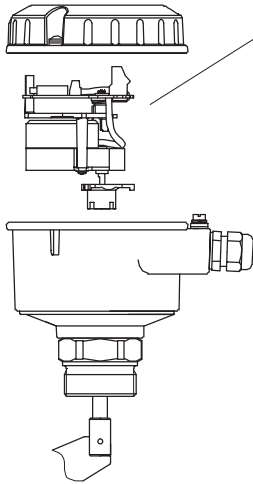
Order code			Voltage	Motor Speed	Spare part Articiel number
Pos.5 Power supply	Pos.25 x Fail safe alarm	Pos.26 x Heating of housing			
A	-	-	230 V AC	1/min	gm402000
S	-	-		5/min	gm403000
B	-	-	115 V AC	1/min	gm402005
T	-	-		5/min	gm403005
C	-	-	48 V AC	1/min	gm402015
U	-	-		5/min	gm403015
D	-	-	24 V AC	1/min	gm402010
V	-	-		5/min	gm403010
E	-	-	24 V DC	1/min	gm402020
W	-	-		5/min	gm403020
G	-	-	24 V DC PNP	1/min	gm402026*
H	-	-		5/min	gm403026*
F	-	-	24 V DC/ 22 .. 230 V AC Universal voltage	1/min	gm402038*
F	x	-		1/min	gm404038* **
F	-	x		1/min	gm402039*
F	x	x		1/min	gm404039* **
X	-	-		5/min	gm403038*
X	x	-		5/min	gm405038* **
X	-	x		5/min	gm403039*
X	x	x		5/min	gm405039* **

\* This module requires a higher housing lid than the other modules. Therefore it can not be mounted into a housing, where a different module was present before.

\*\* This module requires a sensor to detect the motor rotation, which is mounted inside the housing. Therefore it can not be mounted into a housing where a different module was present before.



**RN 3000 /6000 Spare parts**



Series RN 6000 Motor/ PCB

Equipment code				Voltage	Motor Speed	Spare part Article number
Pos.5 Power supply	Pos.25 b SIL 2**	Pos.25 x Fail safe alarm	Pos.26 x Heating of housing			
A	-	-	-	230V AC	1/min	gm412000
S	-	-	-		5/min	gm413000
B	-	-	-	115V AC	1/min	gm412005
T	-	-	-		5/min	gm413005
C	-	-	-	48V AC	1/min	gm412015
U	-	-	-		5/min	gm413015
D	-	-	-	24V AC	1/min	gm412010
V	-	-	-		5/min	gm413010
E	-	-	-	24V DC	1/min	gm412020
W	-	-	-		5/min	gm413020
F	-	-	-	24V DC/ 22 ... 230V AC Universal voltage	1/min	gm412038
F	-	x	-		1/min	gm414038*
F	-	-	x		1/min	gm412039
F	-	x	x		1/min	gm414039*
X	-	-	-		5/min	gm413038
X	-	x	-		5/min	gm415038*
X	-	-	x		5/min	gm413039
X	-	x	x		5/min	gm415039*

\* This module requires a sensor to detect the motor rotation, which is mounted inside the housing. Therefore it can not be mounted into a housing where a different module was present before.

\*\* Moduls for units with SIL certificate must be replaced by the manufacturer.

**RN 3000 /6000 Spare parts**

	Fitting to unit/ model code	Spare part Article number
<b>Measuring vane</b> (delivery incl. cotter pin)		
Boot shaped 40 x 98 mm (1.4305)	Pos.10 A with pos.9 3	fg400605
Boot shaped 40 x 98 mm (1.4404)	Pos.10 A with pos.9 7	fg400502
Boot shaped 35 x 106 mm (1.4305)	Pos.10 D with pos.9 3	fg400508
Boot shaped 35 x 106 mm (1.4404)	Pos.10 D with pos.9 7	fg400509
Boot shaped 28 x 98 mm (1.4305)	Pos.10 R with pos.9 3	fg400603
Boot shaped 28 x 98 mm (1.4404)	Pos.10 R with pos.9 7	fg400604
Boot shaped 26 x 77 mm	Pos.10 J	fg400607
Rectangular 50 x 98 mm	Pos.10 B	fg400610
Rectangular 50 x 150 mm	Pos.10 C	fg400620
Rectangular 50 x 250 mm	Pos.10 E	fg400630
Rectangular 98 x 98 mm (1.4305)	Pos.10 F with pos.9 3	fg400635
Rectangular 98 x 98 mm (1.4404)	Pos.10 F with pos.9 7	fg400032
Rectangular 98 x 150 mm	Pos.10 G	fg400637
Rectangular 98 x 250 mm	Pos.10 I	fg400650
Hinged vane 98 x 200 mm double sided (37 mm for G 1½" and G 1¼") (1.4305, max. 250°C)	Pos.10 K with pos.9 3	fg400081
Hinged vane 98 x 200 mm double sided (37 mm for G 1½" and G 1¼") (1.4404, max. 250°C)	Pos.10 K with pos.9 7	fg400087
Hinged vane 98 x 200 mm double sided (28 mm for G 1" and M32) (1.4305, max. 250°C)	Pos.10 K with pos.9 3	fg400085
Hinged vane 98 x 100 mm single sided (37 mm for G 1½" and G 1¼") (1.4305, max. 250°C)	Pos.10 S with pos.9 3	fg400084
Hinged vane 98 x 100 mm single sided (37 mm for G 1½" and G 1¼") (1.4404, max. 250°C)	Pos.10 S with pos.9 7	fg400088
Hinged vane 98 x 100 mm single sided (28 mm for G 1" and M32) (1.4305, max. 250°C)	Pos.10 S with pos.9 3	fg400086
Rubber vane 98 x 250 mm	Pos.10 M	fg400565
Notched 40 x 80 mm	Pos.10 P	fg400614
VT-vane	Pos.10 N	fg400026

**Extension parts**

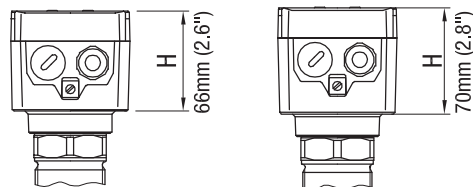
Extension shaft ø10 mm: (delivery incl. fixing parts)	by 50 mm	RN 3001/ 6001	we400005
	by 100 mm	RN 3001/ 6001	we401023
	by 150 mm	RN 3001/ 6001	we401025
	by 200 mm	RN 3001/ 6001	we401026
Pendular shaft L=500 mm (delivery incl. fixing parts)		RN 3001/6001/pos.36	zu400131
Pendular shaft L=1,000 mm (delivery incl. fixing parts)		RN 3001/6001/pos.36	zu400132
Kit rope extension L=2,000 mm (implements 2 m single rope (zu400729) and rope fixing parts (zu400110))		RN 3001/6001/pos.39	zu400100
Single rope ø8 mm, tail welded, price per meter		RN 3002/ 6002-rope RN3001/ RN6001/ pos.39	zu400729
Rope fixing parts, usable for kit rope extension		RN3001/ RN6001/ pos.39	zu400110
Rope weight ø30 mm (delivery incl. fixing parts)		RN 3002/ 6002-rope	we400720
Rope holder ø22 mm (for version Pos.1 C) (delivery incl. fixing parts)		RN 3002/ 6002-rope	we400700

**RN 3000 /6000 Spare parts**

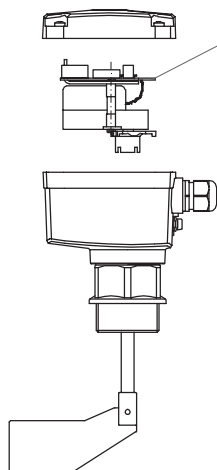
	Fitting to unit/ model code	Spare part Article number
<b>Hexagon nut</b>		
1½" aluminium	Pos.6 A	zu300170
1½" stainless steel 1.4305	Pos.6 A	zu300180
1¼" aluminium	Pos.6 B	zu300171
1¼" stainless steel 1.4305	Pos.6 B	zu300181
1" aluminium	Pos.6 C	zu200150
1" stainless steel 1.4305	Pos.6 C	zu200160
M32 aluminium	Pos.6 D	zu200120
M32 stainless steel 1.4305	Pos.6 D	zu200130
M30 aluminium	Pos.6 E	zu200170
M30 stainless steel 1.4305	Pos.6 E	zu200180

<b>Flush welding socket</b>		
Flush welding socket ø69/ G 1½" made of 1.4404 (316L)	Pos.29 d	bu400507

<b>Weather protection cover</b>		
RN 3000 (for lower housing, dimension H=66 mm)	Pos.21 x	zu300230
RN 3000 (for higher housing, dimension H=70 mm)	Pos.21 x	zu300232
RN 6000 standard housing	Pos.21 x	zu300240



RN 4000 Spare parts



Motor/ PCB

Order code			Voltage	Motor Speed	Spare part Article number
Pos.3 Power supply	Pos.25 x Fail safe alarm	Pos.26 x Heating of housing			
A	-	-	230 V AC	1/min	gm402000
S	-	-		5/min	gm403000
B	-	-	115 V AC	1/min	gm402005
T	-	-		5/min	gm403005
C	-	-	48 V AC	1/min	gm402015
U	-	-		5/min	gm403015
D	-	-	24 V AC	1/min	gm402010
V	-	-		5/min	gm403010
E	-	-	24 V DC	1/min	gm402020
W	-	-		5/min	gm403020
G	-	-	24 V DC PNP	1/min	gm402026
H	-	-		5/min	gm403026
F	-	-	24 V DC/ 22 .. 230 V AC Universal voltage	1/min	gm402038
F	x	-		1/min	gm404038 **
F	-	x		1/min	gm402039
F	x	x		1/min	gm404039 **
X	-	-		5/min	gm403038
X	x	-		5/min	gm405038 **
X	-	x		5/min	gm403039
X	x	x		5/min	gm405039 **

\*\* This module requires a sensor to detect the motor rotation, which is mounted inside the housing. Therefore it can not be mounted into a housing, where a different module was present before.

**RN 4000 Spare parts**

	Fitting to unit/ model code	Spare part Article number
<b>Measuring vane</b> (delivery incl. cotter pin)		
Boot shaped 40 x 98 mm	Pos.6 A	fg400605
Boot shaped 35 x 106 mm	Pos.6 D	fg400508
Boot shaped 28 x 98 mm	Pos.6 R	fg400603
Hinged vane 98 x 200 mm double sided (37 mm for G 1½" and G 1¼")	Pos.6 K	fg400081
Hinged vane 98 x 200 mm double sided (28 mm for G 1" and M32)	Pos.6 K	fg400085
Hinged vane 98 x 100 mm single sided (37 mm for G 1½" and G 1¼")	Pos.6 S	fg400084
Hinged vane 98 x 100 mm single sided (28 mm for G 1" and M32)	Pos.6 S	fg400086
Boot shaped 26 x 77 mm	Pos.6 J	fg400607
Universal vane 27 x 150 mm	Pos.6 U	fg402010
Vane extension for universal vane 98 x 250 mm	Pos.23	fg200070

**Extension parts**

Extension shaft ø10 mm: (delivery incl. fixing parts)	by 50 mm	RN 4001	we400005
	by 100 mm	RN 4001	we401023
	by 150 mm	RN 4001	we401025
	by 200 mm	RN 4001	we401026
Kit Pendular shaft L=500 mm (delivery incl. fixing parts)		Pos.40	zu400130
Kit Pendular shaft L=1,000 mm (delivery incl. fixing parts)		Pos.40	zu400140
Kit rope extension L=2,000 mm (implements 2 m single rope (zu400729) and rope fixing parts (zu400110))		Pos.39	zu400100
Single rope ø8 mm, tail welded, price per meter		Pos.39	zu400729
Rope fixing parts, usable for kit rope extension		Pos.39	zu400110

**Hexagon nut**

1½" aluminium	Pos.24 A	zu300170
1½" stainless steel 1.4305	Pos.24 A	zu300180
1¼" aluminium	Pos.24 B	zu300171
1¼" stainless steel 1.4305	Pos.24 B	zu300181
1" aluminium	Pos.24 C	zu200150
1" stainless steel 1.4305	Pos.24 C	zu200160
M32 aluminium	Pos.24 D	zu200120
M32 stainless steel 1.4305	Pos.24 D	zu200130
M30 aluminium	Pos.24 E	zu200170
M30 stainless steel 1.4305	Pos.24 E	zu200180

**Weather protection cover**

For standard housing (plastic and aluminium)	Pos.21 x	zu300232
--	----------	----------

**VN 1000 /2000 /5000 /6000 Accessories**

Complementary products (from outside companies)



**NAMUR Isolating Switching Amplifier** Protection method [EEx ia] IIC  
(for Electronic module pos.4 M)

Terminal housing. Switchable signal output logic. Each channel has one independent output.

Channels	Signal output	Monito- ring*	Supply	Manufacturer/ Type
				Turck
1	Relay (2x SPST)	x	20 - 125 V DC, 20 - 250 V AC	IM1-12EX-R
	2 transistor outputs (short-circuit proof, floating)	x		IM1-12EX-T
2	Relay (2x SPST)	x	20 - 125 V DC, 20 - 250 V AC	IM1-22EX-R
	2 transistor outputs (short-circuit proof, floating)	x		IM1-22EX-T
4	Relais (4x SPST)	x	20 - 125 V DC, 20 - 250 V AC	IM1-451EX-R
	4 transistor outputs (short-circuit proof, floating)	x		IM1-451EX-T

\* Input circuit monitoring for wire-break, partial for short-circuit.  
Partial additional monitoring signal output.



**8/16 mA Limit Value Monitor**  
(for Electronic module pos.4 N)

**Limit Value Monitor** Type IM43-13-R

Input: 1 channel 4-20 mA

Output: 3 Limit Value Relays for monitoring of 3 limit values of a current signal.

Terminal housing. Supply: 20 - 125 V DC, 20 - 250 V AC. Manufacturer: Turck.

Use in Hazardous Locations only with additional connected Isolating Transducer IM33.

**Isolating Transducer** Type IM33-11Ex-Hi/ 24 V DC (1 channel)

**Isolating Transducer** Type IM33-11Ex-Hi/ 24 V DC (2 channels)

Protection method [EEx ia] IIC.

Terminal housing.

Input/ output: 0/4-20 mA (galvanic isolated). Supply: 19 - 29 V DC.

VN 1000 /2000 /5000 /6000 Spare parts

Electronic modules VN 1000/ VN 5000

Electronic module	Electronic module number	VN 1020	VN 1020 VN 1030 VN 1040 separate housing	VN 1030 VN 1040	VN 1050	VN 5020	VN 5020 temp. extended shaft	VN 5020 VN 5030 separate housing	VN 5030 VN 5040	VN 5050
<b>Relay (SPDT)</b> 19 .. 230 V AC 19 .. 55 V DC	pl400932	0, W, A, E, 2	0	0, W, A, E, 2	0	0, M, W, A, N, R, C, S, T, D, U, E, K, L, 2, 4, 5	0, M, W, A, N, E, 2	0, M	0, M, W, A, N, E, 2	0, M
	pl400120 *		W, A, E, 2		W, A, E, 2	R, C, S, T, D, U, K, L, 4, 5		W, A, N, R, C, S, T, D, U, E, K, L, 2, 4, 5	R, C, S, T, D, U, K, L, 4, 5	W, A, N, R, C, S, T, D, U, E, K, L, 2, 4, 5
<b>Relay (DPDT)</b> 19 .. 230 V AC 19 .. 55 V DC	pl400247	0, W, A, E, 2	0	0, W, A, E, 2	0	0, M, W, A, N, R, C, S, T, D, U, E, K, L, 2, 4, 5	0, M, W, A, N, E, 2	0, M	0, M, W, A, N, E, 2	0, M
	pl400052 *		W, A, E, 2		W, A, E, 2	R, C, S, T, D, U, K, L, 4, 5		W, A, N, R, C, S, T, D, U, E, K, L, 2, 4, 5	R, C, S, T, D, U, K, L, 4, 5	W, A, N, R, C, S, T, D, U, E, K, L, 2, 4, 5
<b>PNP</b> 18 .. 50 V DC	pl400246	0, W, A, E, 2	0	0, W, A, E, 2	0	0, M, W, A, N, R, C, S, T, D, U, E, K, L, 2, 4, 5	0, M, W, A, N, E, 2	0, M	0, M, W, A, N, E, 2	0, M
	pl400123*		W, A, E, 2		W, A, E, 2	R, C, S, T, D, U, K, L, 4, 5		W, A, N, R, C, S, T, D, U, E, K, L, 2, 4, 5	R, C, S, T, D, U, K, L, 4, 5	W, A, N, R, C, S, T, D, U, E, K, L, 2, 4, 5
<b>2-wire without contact</b> 19 .. 230 V AC/DC	pl400242	0, W, A, E, 2	0	0, W, A, E, 2	0					
	pl400122		W, A, E, 2		W, A, E, 2		0, M, W, A, N, E, 2	0, M	0, M, W, A, N, E, 2	0, M
<b>8/16 mA 2-wire</b>	pl400121 *		W, A, E, 2		W, A, E, 2		R, C, S, T, D, U, K, L, 4, 5	W, A, N, R, C, S, T, D, U, E, K, L, 2, 4, 5	R, C, S, T, D, U, K, L, 4, 5	W, A, N, R, C, S, T, D, U, E, K, L, 2, 4, 5
	pl400062*		W, A, E, 2		W, A, E, 2		R, C, T, D, K, L, 4, 5	W, A, R, C, T, D, E, K, L, 2, 4, 5	R, C, T, D, K, L, 4, 5	W, A, R, C, T, D, E, K, L, 2, 4, 5
<b>8/16 mA or 4-20 mA</b> 2-wire intrinsic safe	pl400093	0	0	0	0	0	0	0	0	0
	pl400090 **	W, A, Y, B, E, V, 2, 3	Y, B, V, 3	W, A, Y, B, E, V, 2, 3	Y, B, V, 3	W, A, Y, B, R, C, T, D, E, V, K, L, 2, 3, 4, 5	W, A, Y, B, E, V, 2, 3	Y, B, V, 3	W, A, Y, B, E, V, 2, 3	Y, B, V, 3

\* Intrinsic safe connection between Electronic module and Vibrating fork

\*\* Intrinsic safe from supply and intrinsic safe between Electronic module and Vibrating fork

VN 1000 /2000 /5000 /6000 Spare parts

Electronic modules VN 2000/ VN 6000

Elektronikmodul	Sensitivity (see pos.26)	Electronic module number	Electronic modules are used for following certificates (see pos. 2 of price lists):				Electronic modules are used for following certificates (see pos. 2 of price lists):			
			VN 2020	VN 2030 separate housing	VN 2030 VN2040	VN 2050	VN 6020	VN 6020 temp. extended shaft	VN 6020 separate housing	VN 6030 VN 6040
<b>Relay (SPDT)</b> 19 .. 230 V AC 19 .. 55 V DC	20 g/l (1,2 lb/ft <sup>3</sup> )	pl400930	0	0	0	0	0, M, W, A, N, R, C, S, T, D, U, E, K, L, 2, 4, 5	0, M, W, A, N, R, C, S, T, D, U, E, K, L, 2, 4, 5	0, M, W, A, N, E, 2	0, M
	5 g/l (0,3 lb/ft <sup>3</sup> )	pl400931	0	0	0	0, M, W, A, N, R, C, S, T, D, U, E, K, L, 2, 4, 5	0, M, W, A, N, R, C, S, T, D, U, E, K, L, 2, 4, 5	0, M, W, A, N, E, 2	0, M	0, M
<b>Relay (DPDT)</b> 19 .. 230 V AC 19 .. 55 V DC	Vibrasil® 70	pl400312	W, A, E, 2	0	0	0, M, W, A, N, R, C, S, T, D, U, E, K, L, 2, 4, 5	0, M, W, A, N, R, C, S, T, D, U, E, K, L, 2, 4, 5	0, M, W, A, N, E, 2	0, M, W, A, N, E, 2	0, M
	Vibrasil® 90	pl400310	0	0	0	0, M, W, A, N, R, C, S, T, D, U, E, K, L, 2, 4, 5	0, M, W, A, N, R, C, S, T, D, U, E, K, L, 2, 4, 5	0, M, W, A, N, E, 2	0, M, W, A, N, E, 2	0, M
<b>Relay (DPDT)</b> 19 .. 230 V AC 19 .. 55 V DC	20g/l (1,2 lb/ft <sup>3</sup> )	pl400124 *	0	0	0	0, M, W, A, N, R, C, S, T, D, U, E, K, L, 2, 4, 5	0, M, W, A, N, R, C, S, T, D, U, E, K, L, 2, 4, 5	0, M, W, A, N, E, 2	0, M, W, A, N, E, 2	0, M
	5 g/l (0,3 lb/ft <sup>3</sup> )	pl400128 *	0	0	0	0, M, W, A, N, R, C, S, T, D, U, E, K, L, 2, 4, 5	0, M, W, A, N, R, C, S, T, D, U, E, K, L, 2, 4, 5	0, M, W, A, N, E, 2	0, M, W, A, N, E, 2	0, M
<b>PNP</b> 18 .. 50 V DC	20 g/l (1,2 lb/ft <sup>3</sup> )	pl400193	0	0	0	0, M, W, A, N, R, C, S, T, D, U, E, K, L, 2, 4, 5	0, M, W, A, N, R, C, S, T, D, U, E, K, L, 2, 4, 5	0, M, W, A, N, E, 2	0, M, W, A, N, E, 2	0, M
	5 g/l (0,3 lb/ft <sup>3</sup> )	pl400194	0	0	0	0, M, W, A, N, R, C, S, T, D, U, E, K, L, 2, 4, 5	0, M, W, A, N, R, C, S, T, D, U, E, K, L, 2, 4, 5	0, M, W, A, N, E, 2	0, M, W, A, N, E, 2	0, M
<b>2-wire without contact</b> 19 .. 230 V AC/DC	20 g/l (1,2 lb/ft <sup>3</sup> )	pl400050 *	W, A, E, 2	0	0	0, M, W, A, N, R, C, S, T, D, U, E, K, L, 2, 4, 5	0, M, W, A, N, R, C, S, T, D, U, E, K, L, 2, 4, 5	0, M, W, A, N, E, 2	0, M, W, A, N, E, 2	0, M
	5 g/l (0,3 lb/ft <sup>3</sup> )	pl400051 *	0	0	0	0, M, W, A, N, R, C, S, T, D, U, E, K, L, 2, 4, 5	0, M, W, A, N, R, C, S, T, D, U, E, K, L, 2, 4, 5	0, M, W, A, N, E, 2	0, M, W, A, N, E, 2	0, M
<b>2-wire without contact</b> 19 .. 230 V AC/DC	20 g/l (1,2 lb/ft <sup>3</sup> )	pl400176	0	0	0	0, M, W, A, N, R, C, S, T, D, U, E, K, L, 2, 4, 5	0, M, W, A, N, R, C, S, T, D, U, E, K, L, 2, 4, 5	0, M, W, A, N, E, 2	0, M, W, A, N, E, 2	0, M
	5 g/l (0,3 lb/ft <sup>3</sup> )	pl400173	0	0	0	0, M, W, A, N, R, C, S, T, D, U, E, K, L, 2, 4, 5	0, M, W, A, N, R, C, S, T, D, U, E, K, L, 2, 4, 5	0, M, W, A, N, E, 2	0, M, W, A, N, E, 2	0, M
<b>2-wire without contact</b> 19 .. 230 V AC/DC	20 g/l (1,2 lb/ft <sup>3</sup> )	pl400127 *	W, A, E, 2	0	0	0, M, W, A, N, R, C, S, T, D, U, E, K, L, 2, 4, 5	0, M, W, A, N, R, C, S, T, D, U, E, K, L, 2, 4, 5	0, M, W, A, N, E, 2	0, M, W, A, N, E, 2	0, M
	5 g/l (0,3 lb/ft <sup>3</sup> )	pl400131 *	0	0	0	0, M, W, A, N, R, C, S, T, D, U, E, K, L, 2, 4, 5	0, M, W, A, N, R, C, S, T, D, U, E, K, L, 2, 4, 5	0, M, W, A, N, E, 2	0, M, W, A, N, E, 2	0, M
<b>NAMUR</b> EC 60947-5-6 2-wire intrinsic safe	20 g/l (1,2 lb/ft <sup>3</sup> )	pl400182	0	0	0	0, M, W, A, N, R, C, S, T, D, U, E, K, L, 2, 4, 5	0, M, W, A, N, R, C, S, T, D, U, E, K, L, 2, 4, 5	0, M, W, A, N, E, 2	0, M, W, A, N, E, 2	0, M
	5 g/l (0,3 lb/ft <sup>3</sup> )	pl400187	0	0	0	0, M, W, A, N, R, C, S, T, D, U, E, K, L, 2, 4, 5	0, M, W, A, N, R, C, S, T, D, U, E, K, L, 2, 4, 5	0, M, W, A, N, E, 2	0, M, W, A, N, E, 2	0, M
<b>8/16 mA</b> 2-wire	20 g/l (1,2 lb/ft <sup>3</sup> )	pl400126	W, A, E, 2	0	0	0, M, W, A, N, R, C, S, T, D, U, E, K, L, 2, 4, 5	0, M, W, A, N, R, C, S, T, D, U, E, K, L, 2, 4, 5	0, M, W, A, N, E, 2	0, M, W, A, N, E, 2	0, M
	5 g/l (0,3 lb/ft <sup>3</sup> )	pl400130	0	0	0	0, M, W, A, N, R, C, S, T, D, U, E, K, L, 2, 4, 5	0, M, W, A, N, R, C, S, T, D, U, E, K, L, 2, 4, 5	0, M, W, A, N, E, 2	0, M, W, A, N, E, 2	0, M
<b>8/16 mA or 4-20 mA</b>	20 g/l (1,2 lb/ft <sup>3</sup> )	pl400125 *	W, A, E, 2	0	0	0, M, W, A, N, R, C, S, T, D, U, E, K, L, 2, 4, 5	0, M, W, A, N, R, C, S, T, D, U, E, K, L, 2, 4, 5	0, M, W, A, N, E, 2	0, M, W, A, N, E, 2	0, M
	5 g/l (0,3 lb/ft <sup>3</sup> )	pl400129 *	0	0	0	0, M, W, A, N, R, C, S, T, D, U, E, K, L, 2, 4, 5	0, M, W, A, N, R, C, S, T, D, U, E, K, L, 2, 4, 5	0, M, W, A, N, E, 2	0, M, W, A, N, E, 2	0, M
<b>8/16 mA or 4-20 mA</b> 2-wire intrinsic safe	20 g/l (1,2 lb/ft <sup>3</sup> )	pl400081 **	0	0	0	0, M, W, A, N, R, C, S, T, D, U, E, K, L, 2, 4, 5	0, M, W, A, N, R, C, S, T, D, U, E, K, L, 2, 4, 5	0, M, W, A, N, E, 2	0, M, W, A, N, E, 2	0, M
	5 g/l (0,3 lb/ft <sup>3</sup> )	pl400082 **	0	0	0	0, M, W, A, N, R, C, S, T, D, U, E, K, L, 2, 4, 5	0, M, W, A, N, R, C, S, T, D, U, E, K, L, 2, 4, 5	0, M, W, A, N, E, 2	0, M, W, A, N, E, 2	0, M
<b>8/16 mA or 4-20 mA</b> 2-wire intrinsic safe	20 g/l (1,2 lb/ft <sup>3</sup> )	pl400060 *	0	0	0	0, M, W, A, N, R, C, S, T, D, U, E, K, L, 2, 4, 5	0, M, W, A, N, R, C, S, T, D, U, E, K, L, 2, 4, 5	0, M, W, A, N, E, 2	0, M, W, A, N, E, 2	0, M
	5 g/l (0,3 lb/ft <sup>3</sup> )	pl400061 *	0	0	0	0, M, W, A, N, R, C, S, T, D, U, E, K, L, 2, 4, 5	0, M, W, A, N, R, C, S, T, D, U, E, K, L, 2, 4, 5	0, M, W, A, N, E, 2	0, M, W, A, N, E, 2	0, M
<b>8/16 mA or 4-20 mA</b> 2-wire intrinsic safe	20 g/l (1,2 lb/ft <sup>3</sup> )	pl400094	0	0	0	0, M, W, A, N, R, C, S, T, D, U, E, K, L, 2, 4, 5	0, M, W, A, N, R, C, S, T, D, U, E, K, L, 2, 4, 5	0, M, W, A, N, E, 2	0, M, W, A, N, E, 2	0, M
	5 g/l (0,3 lb/ft <sup>3</sup> )	pl400098	0	0	0	0, M, W, A, N, R, C, S, T, D, U, E, K, L, 2, 4, 5	0, M, W, A, N, R, C, S, T, D, U, E, K, L, 2, 4, 5	0, M, W, A, N, E, 2	0, M, W, A, N, E, 2	0, M
<b>8/16 mA or 4-20 mA</b> 2-wire intrinsic safe	20 g/l (1,2 lb/ft <sup>3</sup> )	pl400091 **	W, A, Y, B, E, V, 2, 3	W, A, Y, B, E, V, 2, 3	W, A, Y, B, E, V, 2, 3	W, A, Y, B, E, V, 2, 3	W, A, Y, B, E, V, 2, 3	W, A, Y, B, E, V, 2, 3	W, A, Y, B, E, V, 2, 3	W, A, Y, B, E, V, 2, 3
	5 g/l (0,3 lb/ft <sup>3</sup> )	pl400092 **	W, A, Y, B, E, V, 2, 3	W, A, Y, B, E, V, 2, 3	W, A, Y, B, E, V, 2, 3	W, A, Y, B, E, V, 2, 3	W, A, Y, B, E, V, 2, 3	W, A, Y, B, E, V, 2, 3	W, A, Y, B, E, V, 2, 3	W, A, Y, B, E, V, 2, 3

\* Intrinsic safe connection between Electronic module and Vibrating fork

\*\* Intrinsic safe from supply and intrinsic safe between Electronic module and Vibrating fork

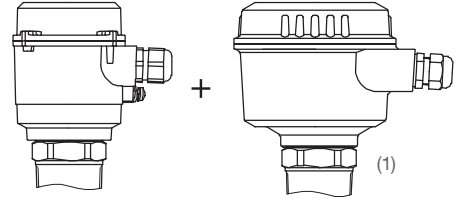
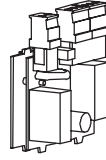


**VN 4000 Spare parts**

Electronic board

Fitting for housing

Electronic board	Article number
<b>Relais DPDT</b> 19 .. 230 V AC 9 .. 50 V DC	pI408265
<b>PNP</b> 18 .. 50 V DC	pI408266



(1) Adapting plate included